

TABLE OF CONTENTS

Series 1000 Lower Stripping Pin Assemblies	1
Series 1000 Upper Stripping Pin Assemblies	2
Series 1000 Custom Small Diameter Lower Stripping Pins	3
Series 1000 Custom Small Diameter Upper Stripping Pins	3
Series 2000 Lower Stripping Pin Assemblies	4
Series 2000 Upper Stripping Pin Assemblies	5
Series 3000 Clamp System	5
Stripping Accessories	7-8
Stripping Pin Assemblies (Miscellaneous Manufacturers)	9
Miscellaneous Accessories	10-12
1MM Stainless Steel Thin Plates	13
Blanking Accessories	14-18
Frames	19-27
102 Frames, Chases and Accessories	19
103 Frames, Chases and Accessories	20
104/106 Frames, Chases and Accessories	21
1120 Frames, Chases and Accessories	22
126/1260 Frames, Chases and Accessories	23
130 Frames, Chases and Accessories	24
142/1420/145 Frames, Chases and Accessories	25
1600 Frames, Chases and Accessories	26
162 Frames, Chases and Accessories	27
Reconditioning of Die Chases	28
1MM Fiberglass Protector Plates	29
Frames, Chases and Accessories (Miscellaneous Manufacturers)	30-31
Storage Racks	32
Fax Order Form	33
Index	34-35

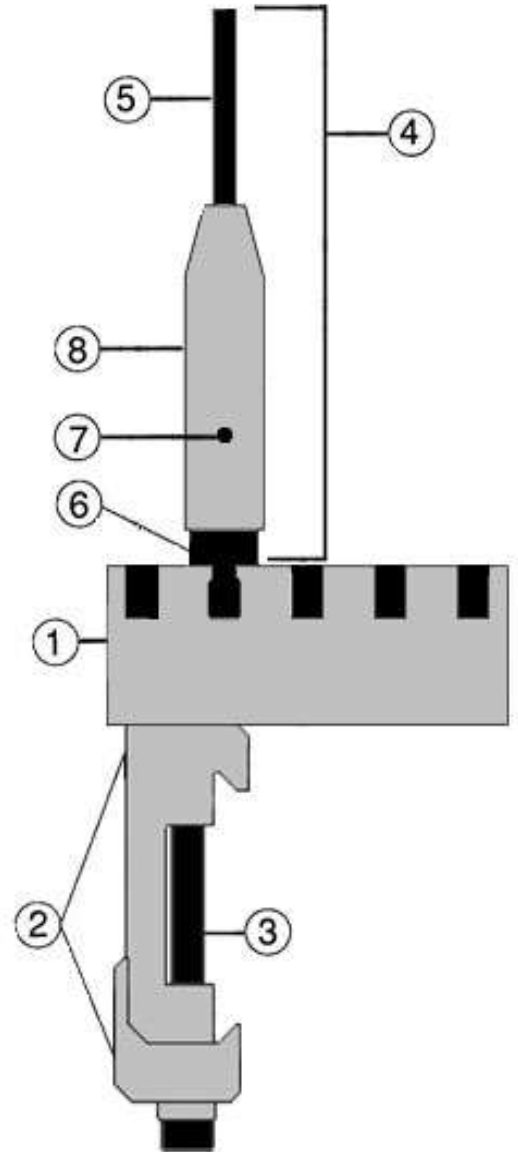
STRIPPING PIN ASSEMBLIES

SERIES 1000 LOWER

PART NO.	DESCRIPTION	PRICE
1000-LA	Lower Assembly Complete	19.50
1000-L1	5-Hole Pin Holder	6.95
1000-L2	Clamp System	7.50
1000-L3	90MM Bolt	1.00
1000-L4	Pin Assembly (Includes L-5, L-6, L-7, L-8)	6.75
1000-L5	Replacement Pin	3.25
1000-L6	Replacement Nut	3.95
1000-L7	Replacement Spring	2.00
1000-L8	Replacement Housing	4.25
1000-L8P	Replacement Housing (Plastic)	4.95

Series 1000 Aluminum Pin Holder Material 15.00/Ft.

We Make Custom Pin Holders To Your Specifications



CONTRACTS UNLIMITED, INC.

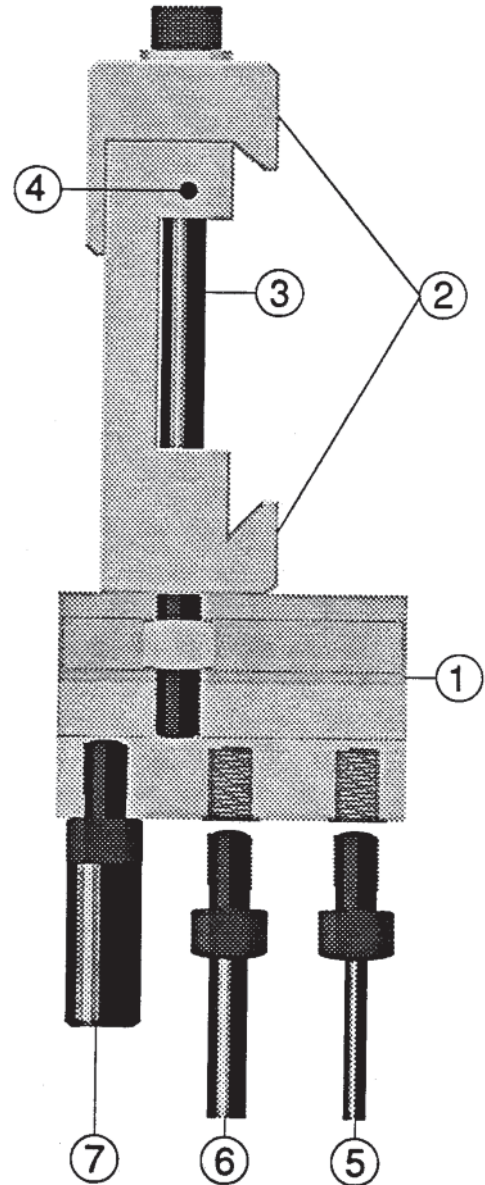
1-800-541-4333

STRIPPING PIN ASSEMBLIES

SERIES 1000 UPPER

PART NO.	DESCRIPTION	PRICE
1000-UA	Upper Assembly Complete	14.25
1000-U1	3-Hole Pin Holder	5.95
1000-U2	Clamp System	7.50
1000-U3	90MM Bol	1.00
1000-U5	3MM Upper Pin	2.25
1000-U6	5MM Upper Pin	2.25
1000-U7	10MM Upper Pin	2.25
1000-U8	2 MM Upper Pin	2.25

We Make Custom Pin Holders To Your Specifications



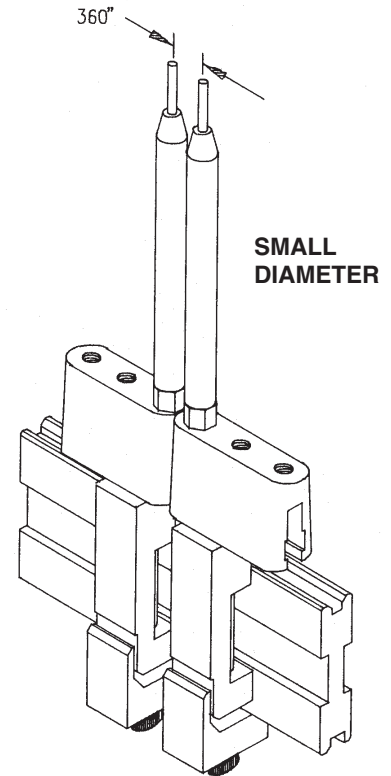
CONTRACTS UNLIMITED, INC.

1-800-541-4333

CUSTOM STRIPPING PIN ASSEMBLIES

SMALL DIAMETER SERIES 1000 LOWER

PART NO.	DESCRIPTION	PRICE
1000-CLA	Custom Lower Assembly Complete	29.95
1000-CPH	3-Hole Custom Pin Holder (<i>Radius Ends</i>)	12.50
1000-L2	Clamp System	7.50
1000-L3	90MM Bolt	1.00
1000-CL4	Custom Pin Assy (Includes CL5, CL6, CL7, CL8)	12.00
1000-CL5	Custom Replacement Pin	3.25
1000-CL6	Custom Replacement Nut	3.95
1000-CL7	Custom Replacement Spring	2.00
1000-CL8	Custom Replacement Housing	6.75



SERIES 1000 UPPER

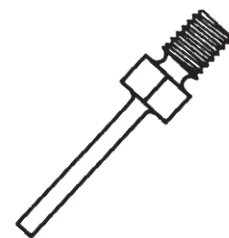
1000-CUA	Custom Upper Assembly Complete	22.50
1000-CPH	3-Hole Custom Pin Holder (<i>Radius Ends</i>)	12.50
1000-L2	Clamp System	7.50
1000-U10	2.5MM X 8MM Hex Custom Upper Pin	2.80

Note: Also Available in Series 2000

We Make Custom Pin Holders To Your Specifications



CONTRACTS UNLIMITED, INC.



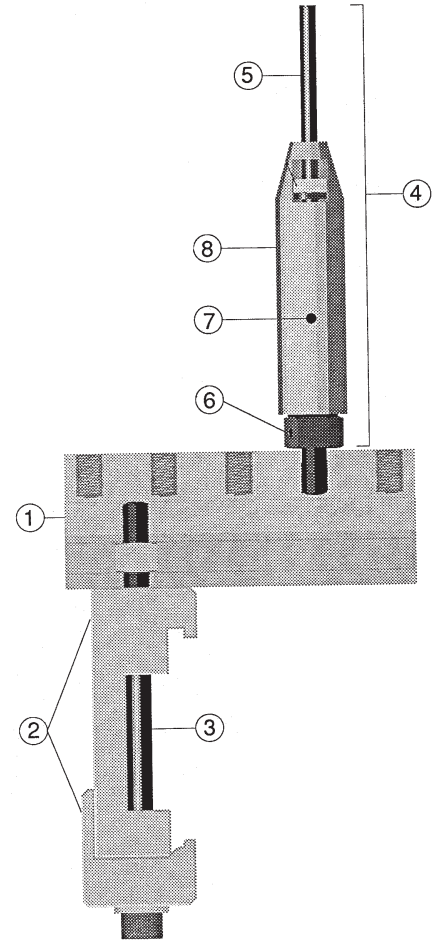
1-800-541-4333

STRIPPING PIN ASSEMBLIES

SERIES 2000 LOWER

(Used on 1080 & 1260 Models Only)

PART NO.	DESCRIPTION	PRICE
2000-LA	Lower Assembly Complete	23.00
2000-L1	5-Hole Pin Holder	6.95
2000-L2	Clamp System	9.95
2000-L3	90MM Bolt	1.00
2000-L4	Pin Assembly (Includes L-5, L-6, L-7, L-8)	9.50
2000-L5	Replacement Pin	3.50
2000-L6	Replacement Nut	3.95
2000-L7	Replacement Spring	2.00
2000-L8	Replacement Housing	4.25
2000-L8P	Replacement Housing (Plastic)	4.95



We Make Custom Pin Holders To Your Specifications



CONTRACTS UNLIMITED, INC.

1-800-541-4333

STRIPPING PIN ASSEMBLIES

SERIES 2000 UPPER

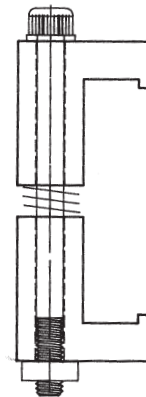
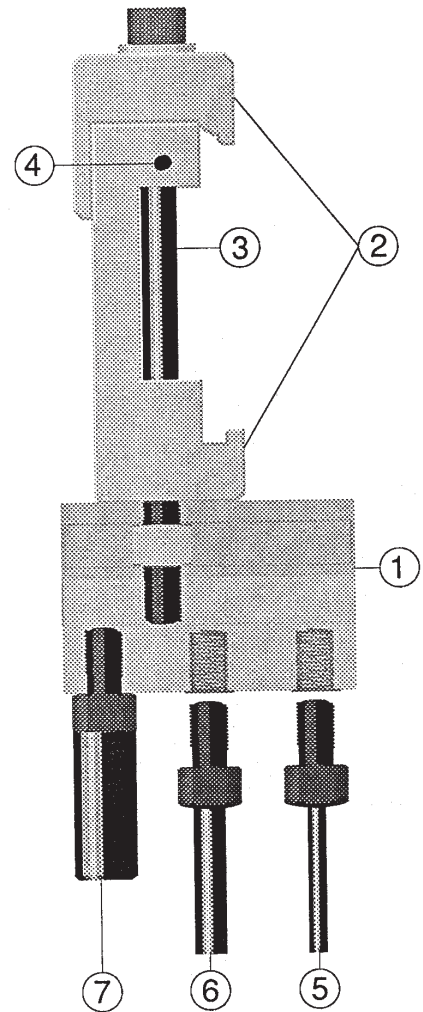
(Used on 1080 & 1260 Models Only)

PART NO.	DESCRIPTION	PRICE
2000-UA	Upper Assembly Complete	16.95
2000-U1	3-Hole Pin Holder	5.95
2000-U2	Clamp System	9.50
2000-U3	90MM Bolt	1.00
2000-U5	3MM Upper Pin	2.25
2000-U6	5MM Upper Pin	2.25
2000-U7	10MM Upper Pin	2.25
2000-U8	2MM Upper Pin	2.25

We Make Custom Pin Holders To Your Specifications

SERIES 3000

3000-L2	Clamp System	18.00
---------	--------------	-------

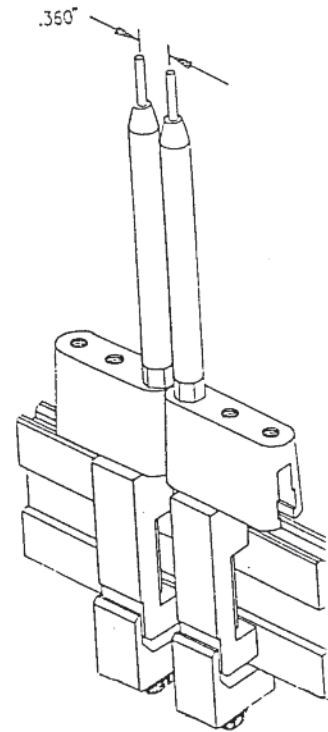
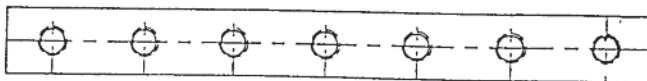
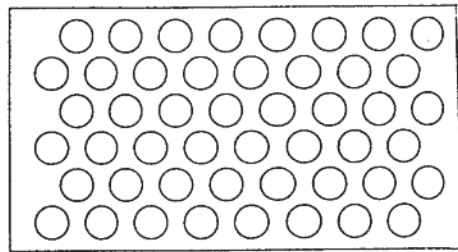
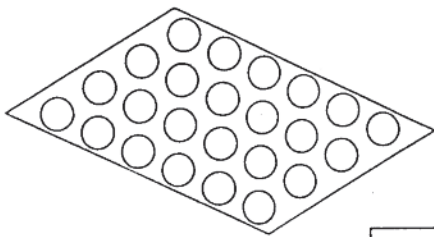


CONTRACTS UNLIMITED, INC.

1-800-541-4333

DID YOU KNOW . . .

***We Manufacture Custom
Pin Holders in any Size or Shape***



CONTRACTS UNLIMITED, INC.

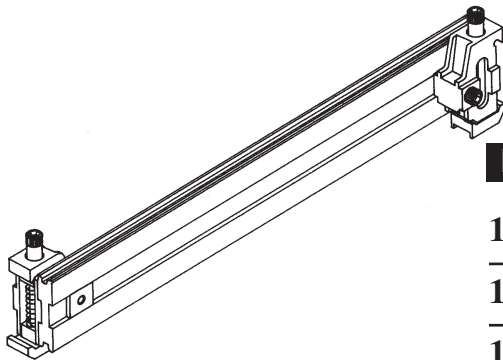
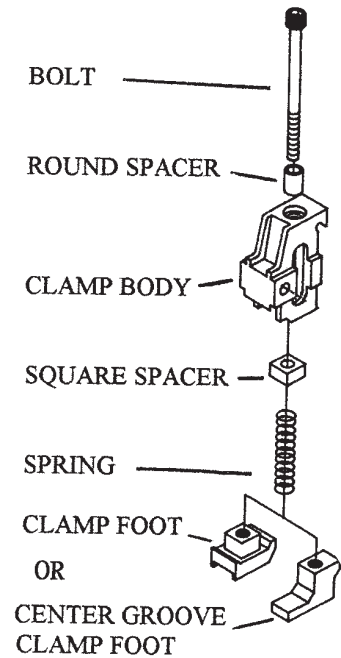
1-800-541-4333

STRIPPING ACCESSORIES

SERIES 1000

Cross Bar Assembly

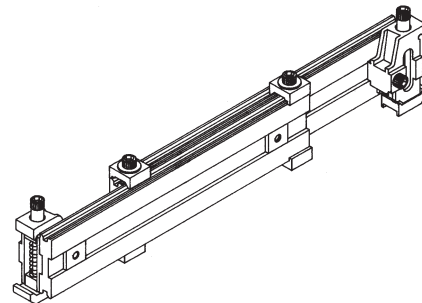
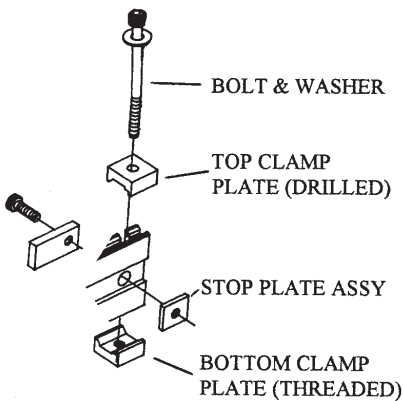
PART NO.	DESCRIPTION	PRICE
1000-CBAA	Aluminum Crossbar Assembly (to 60")	110.00
1000-ECH	End Clamp Hardware Assembly	37.50
1000-ECH1	Bolt	1.00
1000-ECH2	Round Spacer	2.50
1000-ECH3	Clamp Body	28.00
1000-ECH4	Square Spacer	2.50
1000-ECH5	Spring	2.25
1000-ECH6	Clamp Foot	9.50
1000-ECH7	Center Groove Clamp Foot	9.50



SERIES 1000

Expansion Bar Assembly

PART NO.	DESCRIPTION	PRICE
1000-EBA	Assembly to 66" Max opening	195.00
1000-EBH	Expansion Bar Hardware (2 Per Set)	42.00
1000-EBH1	Bolt and Spacer	1.20
1000-EBH2	Top Clamp Plate - Drilled	4.85
1000-EBH3	Stop Plate Assembly	10.95
1000-EBH4	Bottom Clamp Plate - Threaded	4.85



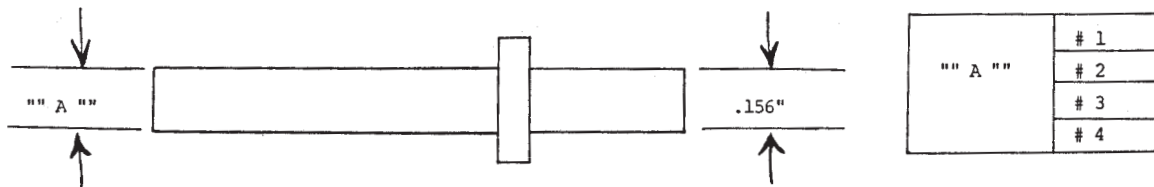
CONTRACTS UNLIMITED, INC.

1-800-541-4333

STRIPPING ACCESORIES

BOARD NAILS

USPBN-1	#1 Upper Stripping Pin Board Nail	.116 x .156	1.25
USPBN-2	#2 Upper Stripping Pin Board Nail	.187 x .156	1.25
USPBN-3	#3 Upper Stripping Pin Board Nail	.250 x .156	1.25
USPBN-4	#4 Upper Stripping Pin Board Nail	.375 x .156	1.25



EXTRUSIONS

1000-CBMA	Aluminum Crossbar Material	21.00/Ft. (1.75/In.)
1000-CBMS	Steel Crossbar Material	84.00/Ft. (7.00/In.)
1000-CBAS	Series 1000 Steel Crossbar Assembly (to 60")	495.00



CONTRACTS UNLIMITED, INC.

1-800-541-4333

STRIPPING PIN ASSEMBLIES *(Miscellaneous Manufacturers)*

ARPECO

ARPECO-L4	L-4 Spring Loaded Pin Assembly <i>(New Style)</i>	13.00
ARPECO-LA	Lower Assembly Complete	49.75
ARPECO-U5	Upper Stripping Pins	5.30
ARPECO-UA	Upper Assembly Complete	22.50
ABN-1	#1 .116 x .156 Board Nail	1.50
ABN-2	#2 .187 x .156 Board Nail	1.50
ABN-3	#3 .250 x .156 Board Nail	1.50
ABN-4	#4 .375 x .156 Board Nail	1.50

BRAUSE

BRAUSE-L4	L-4 Spring Loaded Pin Assembly	12.00
BRAUSE-LA	Lower Assembly Complete	42.00

CONSOLIDATED

CONSOL-L4	L-4 Spring Loaded Pin Assembly	12.00
CONSOL-LA	Lower Assembly Complete	40.00

IBERICA

IBER-L4	L-4 Spring Loaded Pin Assembly	13.50
IBER-LA	Lower Assembly Complete	43.75
IBER-UA	Upper Assembly Complete	30.00
IBER-L1	5 Hole Pin Holder	17.25
IBER-L2	Clamp System	17.00

IJIMA

IJIMA-L4	L-4 Spring Loaded Pin Assembly	12.00
IJIMA-LA	Lower Assembly Complete	30.00

SUGANO

SUGA-L4	L-4 Spring Loaded Pin Assembly	12.00
SUGA-LA	Lower Assembly Complete	30.00
	Upper Stripping Pins	3.50

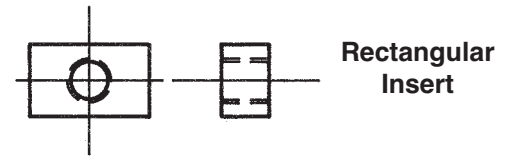
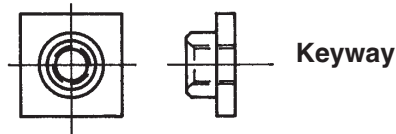
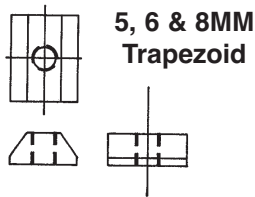


CONTRACTS UNLIMITED, INC.

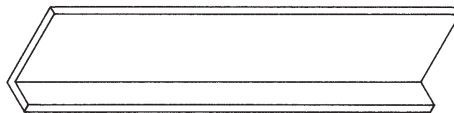
1-800-541-4333

MISCELLANEOUS ACCESSORIES

PART NO.	DESCRIPTION	PRICE
NUTS		
NUT-5MM-TRP	5MM Trapezoid	3.25
NUT-6MM-TRP	6MM Trapezoid	3.50
NUT-8MM-TRP	8MM Trapezoid	3.75
NUT-8-TRP-S	8MM x 30MM Trapezoid (<i>Special</i>)	4.00
NUT-6MM-KEY	6MM Keyway (<i>Used on Expansion Bars</i>)	4.00
NUT-6MM-REC	6MM Rectangular (<i>Used in Pin Holder</i>)	1.00



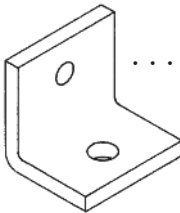
ANGLE-1/2 ALUMINUM ANGLE - 1/2" X 10MM X 1/16" 4.00/Ft.
(Sold By The Foot)

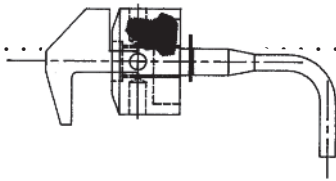


CONTRACTS UNLIMITED, INC.

1-800-541-4333

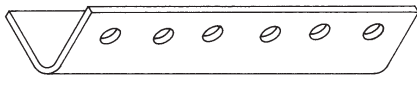
MISCELLANEOUS ACCESSORIES

BOARDSUPPORT Board Support Bracket  3.50

GRIDCLAMP Grid Board Clamp  145.00

TRIM BREAKERS

TRMBRK-LEFT Left Hand  1.75
TRMBRK-RIGH Right Hand  1.75

USBARMAT-40 Upper Stripping Bar Material (40" Lengths)  15.25

BOBST-SCREW Chase Screws (Bobst Style) - 8MM  2.75
(Custom Chase Screws Available)

LEAD EDGE BOARD HOLDERS 345.00



CONTRACTS UNLIMITED, INC.

1-800-541-4333

MISCELLANEOUS ACCESSORIES

SUPPORT RAILS 35.00
(Available in Steel or Aluminum)

SWORD ASSEMBLY

Single Sword Assembly *Price Upon Request*
 Double Sword Assembly *Price Upon Request*

PLATE CLEANING TANKS *Price Upon Request*

ADD-ON BLANKING SYSTEM

ATTACHMENT *Price Upon Request*

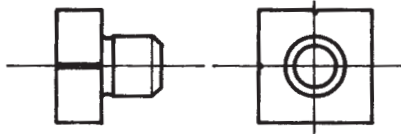
OFF PRESS COUNTER SYSTEM *Price Upon Request*

OFF PRESS MODIFICATION TO ACCEPT

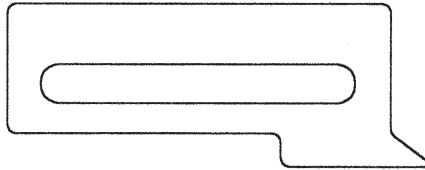
ZERAND DIE CHASE *Price Upon Request*

PART NO.	DESCRIPTION	PRICE
----------	-------------	-------

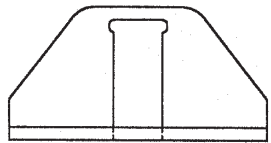
CENTERBLOCK	DIE CHASE CENTER BLOCK	34.00
-------------	------------------------	-------



JAW	CLAMPING JAW	2.60
-----	--------------	------



CLTOOL	CENTERING PIECE	28.00
--------	-----------------	-------



CONTRACTS UNLIMITED, INC.

1-800-541-4333

1MM SS.THIN PLATES

PART NO.	DESCRIPTION	PRICE
PLT-761MM	76	95.00
PLT-1021MM	102	95.00
PLT-102CER1M	102CER	95.00
PLT-1031MM	103	98.00
PLT-1041MM	104	98.00
PLT-11201MM	1120	190.00
PLT-12601MM	1260	195.00
PLT-1301MM	130	195.00
PLT-1421MM	142	195.00
PLT-16001MM	1600	215.00
PLT-1621MM	162	215.00
PLT-SUGA1MM	SUGANO	<i>Price On Request</i>
PLT-SW8201	SANWA 820	<i>Price On Request</i>
PLT-SW10601	SANWA 1060	<i>Price On Request</i>

Custom designed thin plates made to your specifications are now available

CORRUGATED MODELS

PLT-1601MM	SPO160	215.00
PLT-162MM	SPO162	245.00
PLT-20001MM	SPO2000	275.00
PLT-20031MM	SPO2003	<i>Price on Request</i>



CONTRACTS UNLIMITED, INC.

1-800-541-4333

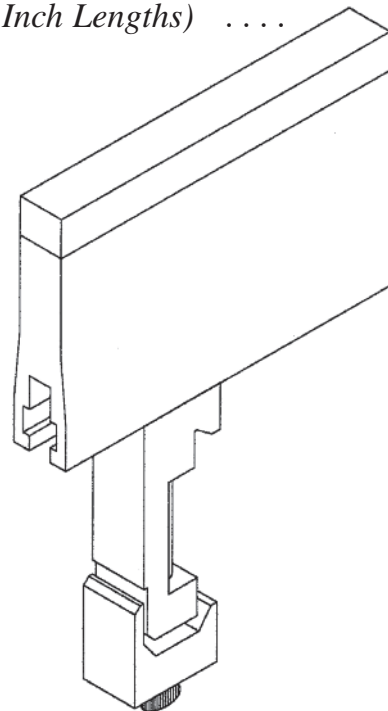
BLANKING ACCESSORIES

BLANKING TOOL ASSEMBLIES

Style A - 1 PC Aluminum

PART NO.	DESCRIPTION	PRICE
BLNK-25AC	25MM (1 Inch) with Clamp	20.50
BLNK-50AC	50MM (2 Inch) with Clamp	25.50
BLNK-100AC	100MM (4 Inch) with Clamp	29.00
BLNK-150AC	150MM (6 Inch) with Clamp	40.00
BLNK-200AC	200MM (8 Inch) with Clamp	50.00
BLNK-25A	25MM (1 Inch) without Clamp	13.00
BLNK-50A	50MM (2 Inch) without Clamp	18.00
BLNK-100A	100MM (4 Inch) without Clamp	21.50
BLNK-150A	150MM (6 Inch) without Clamp	32.50
BLNK-200A	200MM (8 Inch) without Clamp	42.50
BLNK-RUB-18	Blanking Tool Rubber (18 Inch Lengths)	15.00

*Blanking Tools over 4 inches come with 2 clamp systems.



CONTRACTS UNLIMITED, INC.

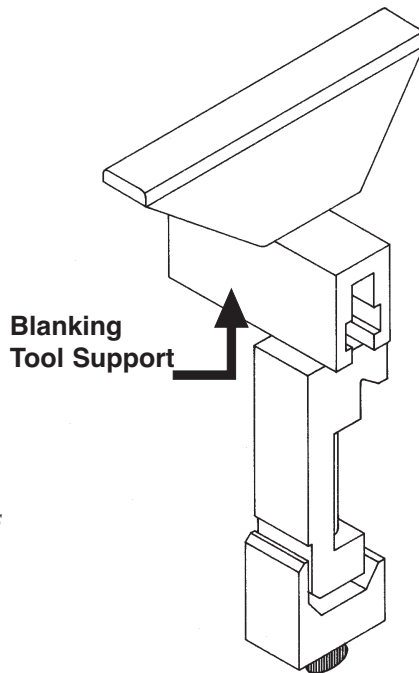
1-800-541-4333

BLANKING ACCESSORIES

BLANKING TOOL ASSEMBLIES

Style B - 2PC Aluminum

PART NO.	DESCRIPTION	PRICE
BLNK-25BC	25MM (1 Inch) with Clamp	23.50
BLNK-50BC	50MM (2 Inch) with Clamp	24.50
BLNK-100BC	100MM (4 Inch) with Clamp	26.50
BLNK-150BC	150MM (6 Inch) with Clamp	39.75
BLNK-200BC	200MM (8 Inch) with Clamp	40.75
BLNK-25B	25MM (1 Inch) without Clamp	16.00
BLNK-50B	50MM (2 Inch) without Clamp	19.00
BLNK-100B	100MM (4 Inch) without Clamp	21.00
BLNK-150B	150MM (6 Inch) without Clamp	26.00
BLNK-200B	200MM (8 Inch) without Clamp	26.75
BLNK-RUB-18	Blanking Tool Rubber (18 Inch Lengths)	15.00
BLNK-SUPPORT	Blanking Tool Support	4.75



**Blanking Tools over 6 inches
come with 2 clamp systems.*



CONTRACTS UNLIMITED, INC.

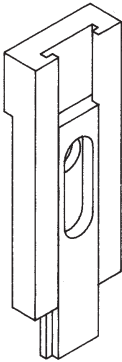
1-800-541-4333

BLANKING ACCESSORIES

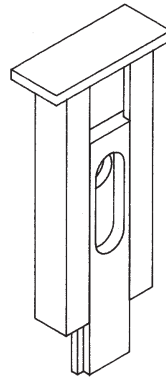
JOGGER BRACKET ASSEMBLIES

PART NO.	DESCRIPTION	PRICE
JOG-F01	Front Jogger Assembly <i>(Includes Slide)</i>	38.00
JOG-B01	Back Jogger Assembly <i>(Includes Slide)</i>	45.00
JOG-S01	Side Jogger Assembly <i>(Includes Slide)</i>	48.00
JOG-40SLD	Jogger Bracket Slide 40MM	10.00
JOG-70SLD	Jogger Bracket Slide 70MM	11.00
JOG-S01STEP	Jogger Bracket Side Step	11.00
NUT-5MM-TRP	5MM Trapezoid Nut	3.25

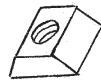
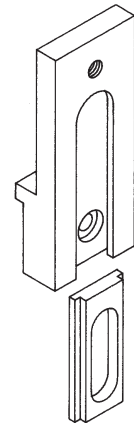
FRONT



BACK

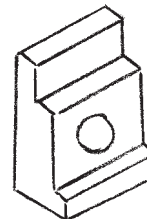


SIDE



5MM TRAPEZOID NUT

*Also Available
in 6MM or 8MM*



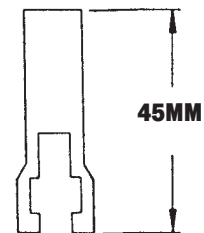
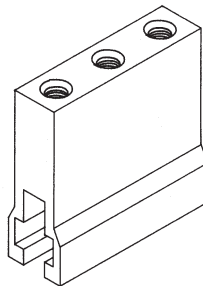
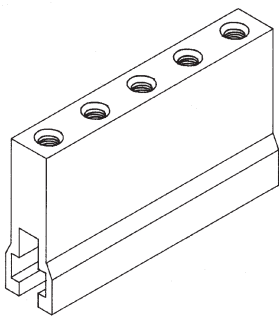
SIDE STEP

BLANKING BARS

BLNK-BAR3	Blanking Bar - 3 Hole	9.95
BLNK-BAR5	Blanking Bar - 5 Hole	10.95

(Available with Clamp System)

CUSTOM SIZES AVAILABLE



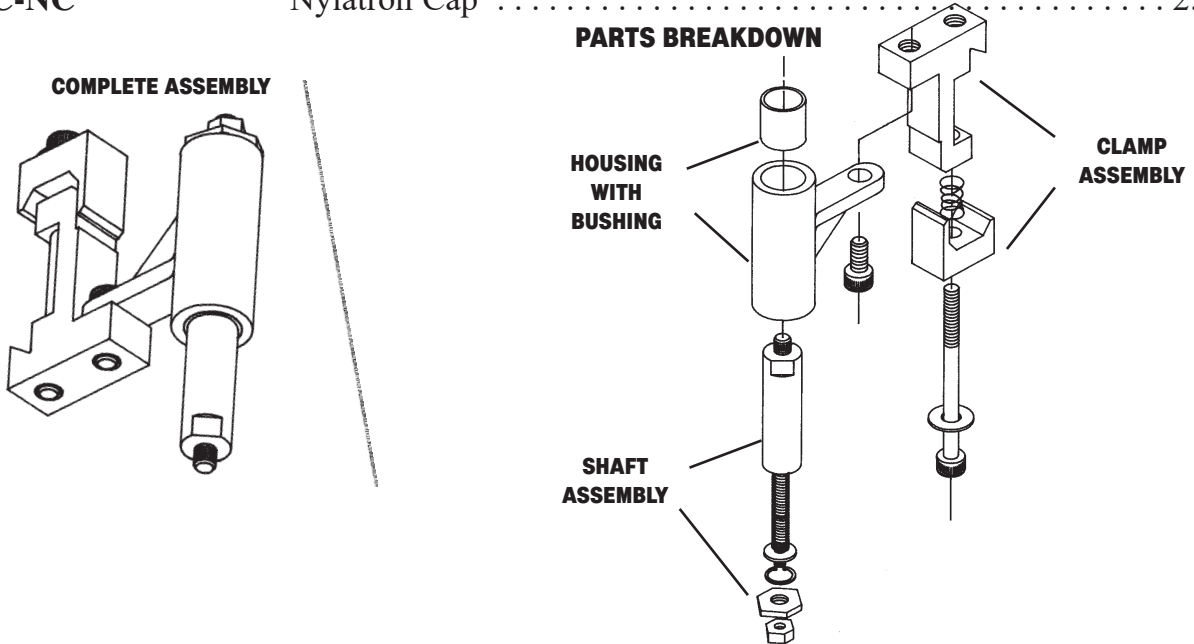
CONTRACTS UNLIMITED, INC.

1-800-541-4333

BLANKING ACCESSORIES

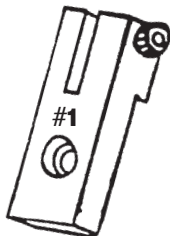
SPRING HOLD DOWN ASSEMBLY

PART NO.	DESCRIPTION	PRICE
SHDC-A	Spring Hold Down Assembly Complete	52.00
SHDC-SA	Shaft Assembly	23.00
SHDC-HB	Housing with Bushing	21.00
SHDC-C	Clamp Assembly	15.00
SHDC-NC	Nylatron Cap	2.25

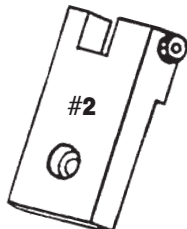


GRID BAR HOLDERS

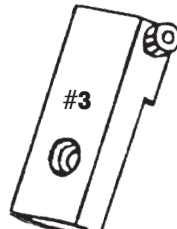
HLDR-ROD-6	Round Rod Holder - 6MM	25.00
HLDR-ROD-10	Round Rod Holder - 10MM	25.00
HLDR-FLAT1	Flat Bar Holder #1	22.50
HLDR-FLAT2	Flat Bar Holder #2	23.50
HLDR-FLAT3	Flat Bar Holder #3	21.00



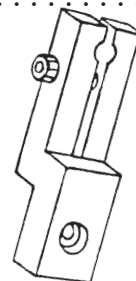
FLAT BAR HOLDER



FLAT BAR HOLDER



FLAT BAR HOLDER



ROUND ROD HOLDER

6MM
or
10MM



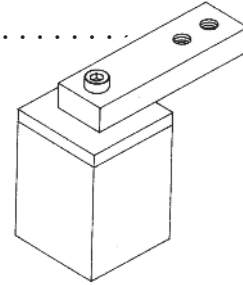
CONTRACTS UNLIMITED, INC.

1-800-541-4333

BLANKING ACCESSORIES

PART NO.	DESCRIPTION	PRICE
----------	-------------	-------

PPA	Pressure Pad Assembly	18.00
-----	-----------------------------	-------



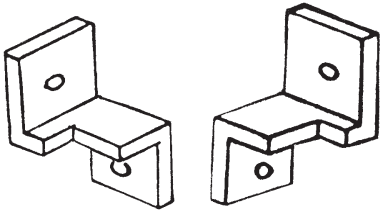
UNIVERSAL TOOL CORNERS

UNIVTOOL-R	Right	31.00
UNIVTOOL-L	Left	31.00

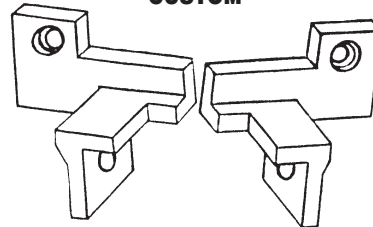
CUSTOM UNIVERSAL TOOL CORNERS

UNIVTOOL-CR	Right	65.00
UNIVTOOL-CL	Left	65.00

STANDARD



CUSTOM



ENDFAB-L	Flat Top Tool Left End Fabrication	575.00
ENDFAB-R	Flat Top Tool Right End Fabrication	575.00
SUPPORTBAR	Support Bars	195.00

ROD

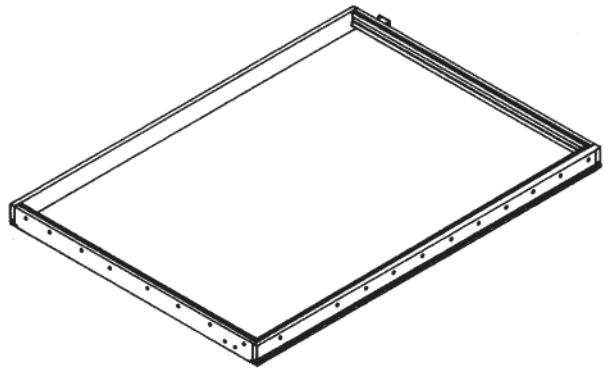
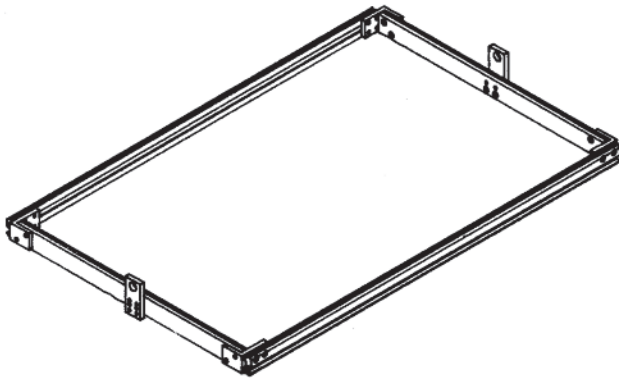
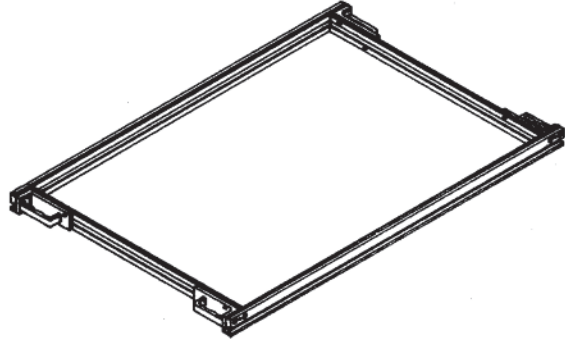
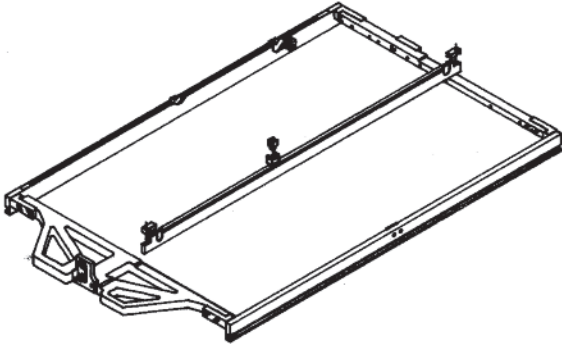
ROD-6MM	6MM Dia x 6' Lengths	16.50
UNIVRAIL	Universal Tool Rail	425.00
WEARSTRIP	Wear Strips (<i>Used on Support Bars</i>)	25.00



CONTRACTS UNLIMITED, INC.

1-800-541-4333

FRAMES



CONTRACTS UNLIMITED, INC.

1-800-541-4333

102 FRAMES, CHASES AND ACCESSORIES

102/102E/102SE	Stripping Frame	1,200.00
102E	Upper Honeycomb Stripping Frame	4,200.00
102CER	Upper Stripping Frame	1,525.00
102CER	Lower Stripping Frame	1,500.00
102CER	Upper Blanking Frame	1,525.00
102CER	Lower Blanking Frame	3,500.00
102CER	Lower Universal Tool	2,945.00
102CER	Central Stripping Frame	5,600.00
102CER	Open Back Chase	6,050.00
102CER	Die Chase with Backing Plate	<i>Price On Request</i>
102CER-II	Upper Stripping Frame	1,775.00
102CER-II	Lower Stripping Frame	1,725.00
102CER-II	Upper Blanking Frame	1,775.00
102CER-II	Lower Blanking Frame	3,500.00
102CER-II	Lower Universal Tool	2,495.00
102CER-II	Central Stripping Frame	5,600.00
102CER-II	Die Chase with Backing Plate	<i>Price On Request</i>

ACCESSORIES

FLAT TOP TOOL	2,350.00
<i>(Includes: (5) Support Bars, (1) Left End Fabrication, (1) Right End Fabrication, (5) Wear Strips)</i>	
BACKING PLATE	<i>Price On Request</i>
CUTTING PLATE	<i>Price On Request</i>
1MM THIN PLATE	95.00
PHENOLIC BED PLATE - Less Hardware	<i>Price On Request</i>
FIBERGLASS PROTECTOR PLATE	285.00
STORAGE RACK	<i>Price On Request</i>
RECONDITIONING OF DIE CHASE	<i>Price On Request</i>
<i>(Includes: New Hardened Backing Plate)</i>	



CONTRACTS UNLIMITED, INC.

1-800-541-4333

%

103 FRAMES, CHASES AND ACCESSORIES

103ER	Upper Stripping Frame	1,775.00
103ER	Lower Stripping Frame	1,725.00
103ER	Upper Blanking Frame	1,775.00
103ER	Lower Blanking Frame	3,500.00
103ER	Lower Universal Tool	2,495.00

ACCESSORIES

FLAT TOP TOOL	2,350.00
<i>(Includes: (5) Support Bars, (1) Left End Fabrication, (1) Right End Fabrication, (5) Wear Strips)</i>	
BACKING PLATE	<i>Price On Request</i>
CUTTING PLATE	<i>Price On Request</i>
1MM THIN PLATE	98.00
PHENOLIC BED PLATE - Less Hardware	<i>Price On Request</i>
FIBERGLASS PROTECTOR PLATE	285.00
STORAGE RACK	<i>Price On Request</i>
RECONDITIONING OF DIE CHASE	<i>Price On Request</i>
<i>(Includes: New Hardened Backing Plate)</i>	



CONTRACTS UNLIMITED, INC.

1-800-541-4333

104 /106 FRAMES, CHASES AND ACCESSORIES

104ER	Upper Stripping Frame	1,775.00
104ER	Lower Stripping Frame	1,725.00
104ER	Upper Blanking Frame	1,775.00
104ER	Lower Blanking Frame	3,500.00
104ER	Lower Universal Tool	2,495.00
104ER	Die Chase with Backing Plate	<i>Price On Request</i>
106	Stripping Frame	2,995.00

ACCESSORIES

FLAT TOP TOOL	2,350.00
<i>(Includes: (5) Support Bars, (1) Left End Fabrication, (1) Right End Fabrication, (5) Wear Strips)</i>	
BACKING PLATE	<i>Price On Request</i>
CUTTING PLATE	<i>Price On Request</i>
1MM THIN PLATE	98.00
PHENOLIC BED PLATE - Less Hardware	<i>Price On Request</i>
FIBERGLASS PROTECTOR PLATE	285.00
STORAGE RACK	<i>Price On Request</i>
RECONDITIONING OF DIE CHASE	<i>Price On Request</i>
<i>(Includes: New Hardened Backing Plate)</i>	



CONTRACTS UNLIMITED, INC.

1-800-541-4333

2%

1120 FRAMES, CHASES AND ACCESSORIES

1120E	Stripping Frame	1,400.00
1120E	Lower Blanking Frame	2,800.00
1120E	Lower Universal Tool	2,495.00
1120E	Die Chase with Backing Plate	<i>Price On Request</i>

ACCESSORIES

BACKING PLATE	<i>Price On Request</i>
CUTTING PLATE	<i>Price On Request</i>
1MM THIN PLATE	190.00
PHENOLIC BED PLATE - Less Hardware	<i>Price On Request</i>
FIBERGLASS PROTECTOR PLATE	300.00
STORAGE RACK	<i>Price On Request</i>
RECONDITIONING OF DIE CHASE	<i>Price On Request</i>
<i>(Includes: New Hardened Backing Plate)</i>	



CONTRACTS UNLIMITED, INC.

1-800-541-4333

126/1260 FRAMES, CHASES AND ACCESSORIES

1260	Die Chase with Backing Plate	<i>Price On Request</i>
1260	Embossing Chase	<i>Price On Request</i>

ACCESSORIES

BACKING PLATE *Price On Request*
CUTTING PLATE *Price On Request*
1MM THIN PLATE 195.00
PHENOLIC BED PLATE - Less Hardware *Price On Request*
FIBERGLASS PROTECTOR PLATE 300.00
STORAGE RACK *Price On Request*
RECONDITIONING OF DIE CHASE *Price On Request*
(Includes: New Hardened Backing Plate)



CONTRACTS UNLIMITED, INC.

1-800-541-4333

130 FRAMES, CHASES AND ACCESSORIES

130E	Stripping Frame	2,250.00
130ER	Upper Stripping Frame	2,250.00
130ER	Upper Honeycomb Stripping Frame	6,500.00
130ER	Lower Stripping Frame	2,250.00
130ER	Upper Blanking Frame	2,250.00
130ER	Lower Blanking Frame	3,400.00
130ER	Lower Universal Tool	2,495.00
130ER	Central Stripping Frame	5,600.00
130ER	Die Chase with Backing Plate	<i>Price On Request</i>
130ER	Embossing Chase	<i>Price On Request</i>

ACCESSORIES

FLAT TOP TOOL	2,350.00
<i>(Includes: (5) Support Bars, (1) Left End Fabrication, (1) Right End Fabrication, (5) Wear Strips)</i>	
BACKING PLATE	<i>Price On Request</i>
CUTTING PLATE	<i>Price On Request</i>
1MM THIN PLATE	195.00
PHENOLIC BED PLATE - Less Hardware	<i>Price On Request</i>
FIBERGLASS PROTECTOR PLATE	295.00
STORAGE RACK	<i>Price On Request</i>
RECONDITIONING OF DIE CHASE	<i>Price On Request</i>
<i>(Includes: New Hardened Backing Plate)</i>	



CONTRACTS UNLIMITED, INC.

1-800-541-4333

142/145/1420 FRAMES, CHASES AND ACCESSORIES

142	Stripping Frame	2,450.00
142E	Upper Stripping Frame	2,450.00
142E	Lower Stripping Frame	2,450.00
142ER	Upper Stripping Frame	2,450.00
142ER	Lower Stripping Frame	2,450.00
142ER	Upper Blanking Frame	2,450.00
142ER	Lower Blanking Frame	3,600.00
142ER	Lower Universal Tool	2,495.00
142CER	Upper Stripping Frame	2,450.00
142CER	Upper Honeycomb Stripping Frame	<i>Price On Request</i>
142CER	Lower Stripping Frame	2,450.00
142CER	Upper Blanking Frame	2,450.00
142CER	Lower Blanking Frame	3,600.00
142CER	Lower Universal Tool	2,450.00
142CER	Central Stripping Frame	5,800.00
142CER	Die Chase with Backing Plate	<i>Price On Request</i>
1420	Single Stripping Frame	2,900.00
1420	Double Stripping Frame	3,500.00
1420ER	Lower Universal Tool	2,495.00
145	Stripping Frame	3,125.00

Must Specify 2Pt or 3Pt Lockup 142ER/142CER

**Add 250.00 for 3Pt Lockup*

ACCESSORIES

FLAT TOP TOOL	2,475.00
<i>(Includes: (6) Support Bars, (1) Left End Fabrication, (1) Right End Fabrication, (6) Wear Strips)</i>	
BACKING PLATE	<i>Price On Request</i>
CUTTING PLATE	<i>Price On Request</i>
1MM THIN PLATE	195.00
PHENOLIC BED PLATE - Less Hardware	<i>Price On Request</i>
FIBERGLASS PROTECTOR PLATE	310.00
STORAGE RACK	<i>Price On Request</i>
RECONDITIONING OF DIE CHASE	<i>Price On Request</i>
<i>(Includes: New Hardened Backing Plate)</i>	



CONTRACTS UNLIMITED, INC.

1-800-541-4333

1600 FRAMES, CHASES AND ACCESSORIES

1600E	Upper Stripping Frame	3,200.00
1600E	Lower Stripping Frame	3,495.00
1600ER	Upper Stripping Frame	3,200.00
1600ER	Lower Stripping Frame	3,495.00
1600ER	Upper Blanking Frame	3,200.00
1600ER	Lower Universal Tool	2,495.00
1600ER	Die Chase with Backing Plate	<i>Price On Request</i>

ACCESSORIES

FLAT TOP TOOL	2,500.00
<i>(Includes: (6) Support Bars, (1) Left End Fabrication, (1) Right End Fabrication, (6) Wear Strips)</i>	
BACKING PLATE	<i>Price On Request</i>
CUTTING PLATE	<i>Price On Request</i>
1MM THIN PLATE	215.00
PHENOLIC BED PLATE - Less Hardware	<i>Price On Request</i>
FIBERGLASS PROTECTOR PLATE	345.00
STORAGE RACK	<i>Price On Request</i>
RECONDITIONING OF DIE CHASE	<i>Price On Request</i>
<i>(Includes: New Hardened Backing Plate)</i>	



CONTRACTS UNLIMITED, INC.

1-800-541-4333

162 FRAMES, CHASES AND ACCESSORIES

162CER	Upper Stripping Frame	3,150.00
162CER	Upper Honeycomb Stripping Frame	<i>Price On Request</i>
162CER	Lower Stripping Frame	3,150.00
162CER	Upper Blanking Frame	3,150.00
162CER	Lower Blanking Frame	3,950.00
162CER	Lower Universal Tool	2,495.00
162CER	Central Stripping Frame	7,195.00
162CER	Die Chase with Backing Plate	<i>Price On Request</i>

ACCESSORIES

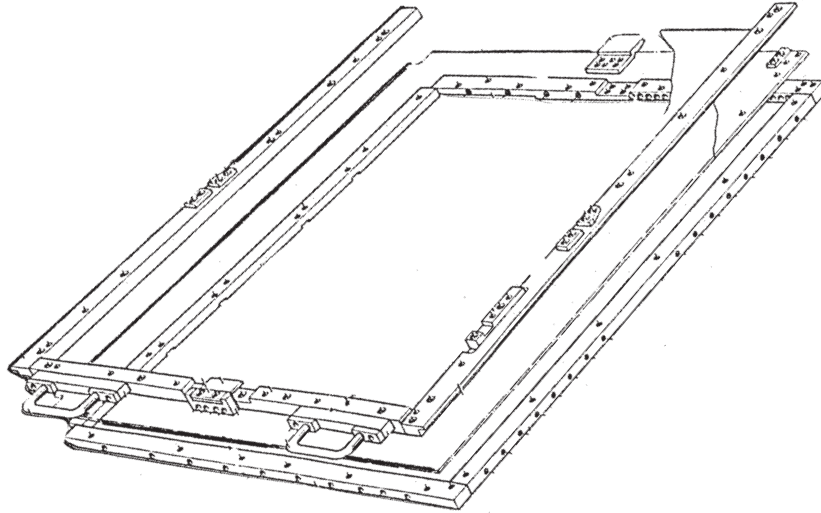
FLAT TOP TOOL	2,500.00
<i>(Includes: (6) Support Bars, (1) Left End Fabrication, (1) Right End Fabrication, (6) Wear Strips)</i>	
BACKING PLATE	<i>Price On Request</i>
CUTTING PLATE	<i>Price On Request</i>
1MM THIN PLATE	215.00
PHENOLIC BED PLATE - Less Hardware	<i>Price On Request</i>
FIBERGLASS PROTECTOR PLATE	345.00
STORAGE RACK	<i>Price On Request</i>
RECONDITIONING OF DIE CHASE	<i>Price On Request</i>
<i>(Includes: New Hardened Backing Plate)</i>	



CONTRACTS UNLIMITED, INC.

1-800-541-4333

LET US RECONDITION YOUR DIE CHASE



We can take your old, worn, out of tolerance die chase, install a new backing plate and bring the chase back to OEM specs for a fraction of the cost of buying a new die chase.

**Price on Request*



CONTRACTS UNLIMITED, INC.

1-800-541-4333

1MM FIBERGLASS PROTECTOR PLATES

PART NO.	DESCRIPTION	PRICE
PTRPLT-102	102 Protector Plate 1MM	285.00
PTRPLT-103	103 Protector Plate 1MM	285.00
PTRPLT-104	104 Protector Plate 1MM	285.00
PTRPLT-106	106 Protector Plate 1MM	270.00
PTRPLT-130	130 Protector Plate 1MM	295.00
PTRPLT-1120	1120 Protector Plate 1MM	300.00
PTRPLT-1260	1260 Protector Plate 1MM	285.00
PTRPLT-142	142 Protector Plate 1MM	310.00
PTRPLT-1420	1420 Protector Plate 1MM	310.00
PTRPLT-145	145 Protector Plate 1MM	315.00
PTRPLT-1600	1600 Protector Plate 1MM	345.00
PTRPLT-162	162 Protector Plate 1MM	345.00
PTRPLT-1650	1650 Protector Plate 1MM	345.00
PTRPLT-SUGA	Sugano Protector Plate 1MM	345.00
PTRPLT-1260	1260 Protector Plate 5MM	<i>Price On Request</i>

CALL FOR PHENOLIC BED PRICING



CONTRACTS UNLIMITED, INC.

1-800-541-4333

&

FRAMES, CHASES AND ACCESSORIES

(Miscellaneous Manufacturers)

ARPECO

- Upper Frame *Price On Request*
- Lower Frame *Price On Request*

Accessories

- Backing Plate *Price On Request*
- Cutting Plate *Price On Request*
- Upper Crossbar Assembly with Clamp *Price On Request*
- Lower Crossbar Assembly with Clamp *Price On Request*
- Foam Bar with Hardware *Price On Request*
- Mounting Blocks *Price On Request*

CHAMPLAIN

- Die Chase with Backing Plate *Price On Request*

Accessories

- Cutting Plate *Price On Request*

IBERICA

- Stripping Frame *Price On Request*

IJIMA

- Die Chase with Backing Plate *Price On Request*

LAMATIC

- 650 Die Chase with Backing Plate *Price On Request*
- 1150 Die Chase with Backing Plate *Price On Request*

Accessories

- 650 Cutting Plate *Price On Request*
- 1150 Cutting Plate *Price On Request*
- 1150 Phenolic Bed Plate Less Hardware *Price On Request*



CONTRACTS UNLIMITED, INC.

1-800-541-4333

FRAMES, CHASES AND ACCESSORIES

(Miscellaneous Manufacturers)

ZERAND

40" Die Chase with Backing Plate	9,875.00
48" Die Chase with Backing Plate	10,850.00
55" Die Chase with Backing Plate	10,945.00

Accessories

40" Cutting Plate	<i>Price On Request</i>
48" Cutting Plate	<i>Price On Request</i>
55" Cutting Plate	<i>Price On Request</i>



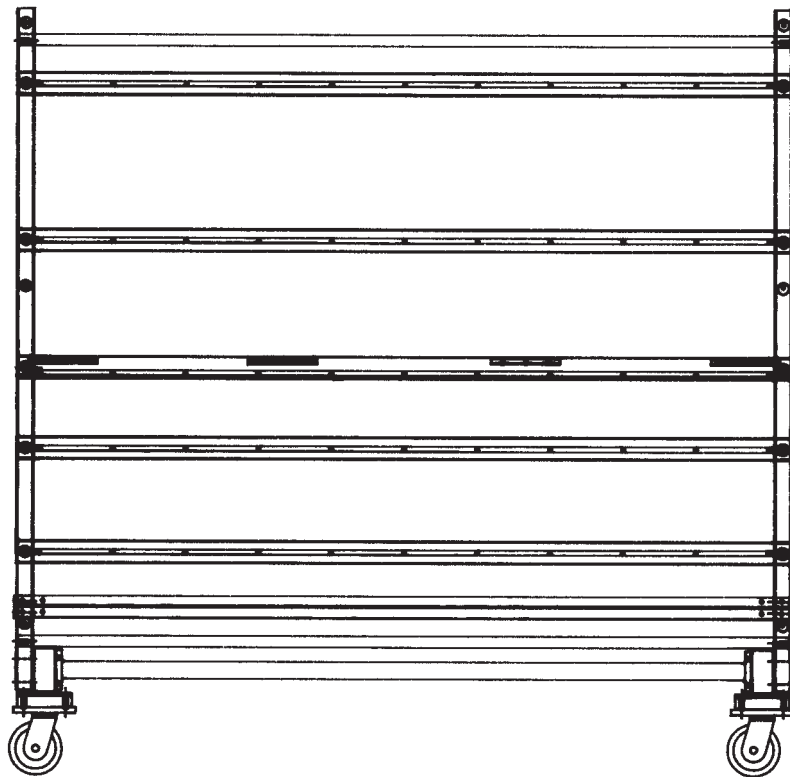
CONTRACTS UNLIMITED, INC.

1-800-541-4333

3%

DID YOU KNOW . . .

**We Manufacture
Storage Racks**



CUSTOM DESIGNS AVAILABLE



CONTRACTS UNLIMITED, INC.

1-800-541-4333

INDEX

102 Frames, Chases and Accessories	19	Corrugated	13
103 Frames, Chases and Accessories	20	Crossbar Assem.-Aluminum-SER 1000	7
104 Frames, Chases and Accessories	21	Crossbar Assem.-Aluminum-SER 2000	8
1120 Frames, Chases and Accessories	22	Crossbar Assemblies-Steel-SER 1000	8
126/1260 Frames, Chases and Accessories	23	Crossbar Material-Aluminum	8
130 Frames, Chases and Accessories	24	Crossbar Material-Steel	8
142/1420 Frames, Chases and Accessories	25	Crossbar End Clamp Hardware	7
1600 Frames, Chases and Accessories	26	Crossbar Bolt	7
162 Frames, Chases and Accessories	27	Crossbar Round Spacer	7
Aluminum Angle	10	Crossbar Clamp Body	7
Arpeco Backing Plate	30	Crossbar Square Spacer	7
Arpeco Crossbar Assembly	30	Crossbar Spring	7
Arpeco Cutting Plate	30	Crossbar Clamp Foot	7
Arpeco Foam Bar Assembly	30	Crossbar Centergroove Foot	7
Arpeco Frames	30	Die Chase	19-27
Arpeco Mounting Blocks	30	Die Chase Centering Block	12
Arpeco Pin Assemblies	9	Expansion Bar Assemblies-Aluminum	
Blanking Bars	16	SER 1000	7
Blanking Tool Assemblies	14, 15	Expansion Bar Hardware	7
Blanking Tool Rubber	14, 15	Expansion Bar Bolt & Spacer	7
Blanking Tool Support	15	Expansion Bar Top Clamp Plate	7
Board Nails	8	Expansion Bar Stop Plate Assembly	7
Board Support Bracket	11	Expansion Bar Bottom Clamp Plate	7
Brause Pin Assemblies	9	Flat Bar Holder	17
Centering Piece	12	Flat Top Tool Left End Fabrication	18
Champlain Cutting Plate	30	Flat Top Tool Right End Fabrication	18
Champlain Die Chase	30	Grid Bar Holders	17
Chase Screws	11	Grid Board Clamp	11
Clamping Jaw	12	Iberica Pin Assemblies	9
Consolidated Pin Assemblies	9		



CONTRACTS UNLIMITED, INC.

1-800-541-4333

INDEX

Iberica Stripping Frame	30	Stripping Assemblies-SER 1000	
Iijima Pin Assemblies	9	Custom Narrow Body Lower	3
Iijima Die Chase	30	Stripping Assemblies-SER 1000	
Jogger Bracket Assemblies	16	Custom Upper	3
Jogger Bracket Side Step	16	Stripping Assemblies-SER 2000 Lower	4
Jogger Bracket Slides	16	Stripping Assemblies-SER 2000 Upper	5
Lamatic 650 Cutting Plate	30	Sugano Pin Assemblies	9
Lamatic 650 Die Chase	30	Support Bars	18
Lamatic 1150 Cutting Plate	30	Support Rails	12
Lamatic 1150 Die Chase	30	Sword Assemblies	12
Lamatic 1150 Phenolic Bed Plate	30	Trimbreaker-Left	11
Lead Edge Board Holder	11	Trimbreaker-Right	11
Nut-Keyway 6MM	10	Universal Tool Corners	18
Nut-Rectangular 6MM	10	Universal Tool Corners-Custom	18
Nut-Trapezoid 5MM	10	Universal Tool Rail	18
Nut-Trapezoid 6MM	10	Upper Stripping Bar Material	11
Nut-Trapezoid 8MM	10	Upper Stripping Pin Board Nails	8
Nut-Trapezoid 8x30MM	10	Wear Strips (Support Bar)	18
Plates - 1MM Thin	13	Zerand 40" Cutting Plate	31
Plates - Fiberglass Protector	29	Zerand 40" Die Chase	31
Plates - Cutting	19-27	Zerand 48" Cutting Plate	31
Plates - Backing	19-27	Zerand 48" Die Chase	31
Plates - Phenolic Bed	19-27	Zerand 55" Cutting Plate	31
Pressure Pad Assembly	18	Zerand 55" Die Chase	31
Racks - Storage	32		
Rod 6MM	18		
Rod Holder	17		
Spring Hold Down Clamp Assembly	17		
Stripping Assemblies-SER 1000 Lower	1		
Stripping Assemblies-SER 1000 Upper	2		



CONTRACTS UNLIMITED, INC.

1-800-541-4333