

# TABLE OF CONTENTS

Series 1000 Lower Stripping Pin Assemblies .....	1
Series 1000 Upper Stripping Pin Assemblies .....	2
Series 1000 Custom Small Diameter Lower Stripping Pins .....	3
Series 1000 Custom Small Diameter Upper Stripping Pins .....	3
Series 2000 Lower Stripping Pin Assemblies .....	4
Series 2000 Upper Stripping Pin Assemblies .....	5
Series 3000 Clamp System .....	5
Stripping Accessories .....	7-8
Stripping Pin Assemblies (Miscellaneous Manufacturers) .....	9
Miscellaneous Accessories .....	10-12
1MM Stainless Steel Thin Plates .....	13
Blanking Accessories .....	14-18
Frames .....	19-27
102 Frames, Chases and Accessories .....	19
103 Frames, Chases and Accessories .....	20
104 Frames, Chases and Accessories .....	21
1120 Frames, Chases and Accessories .....	22
126/1260 Frames, Chases and Accessories .....	23
130 Frames, Chases and Accessories .....	24
142/1420 Frames, Chases and Accessories .....	25
1600 Frames, Chases and Accessories .....	26
162 Frames, Chases and Accessories .....	27
Reconditioning of Die Chases .....	28
1MM Fiberglass Protector Plates .....	29
Frames, Chases and Accessories (Miscellaneous Manufacturers) .....	30-31
Storage Racks .....	32
Fax Order Form .....	33
Index .....	34-35

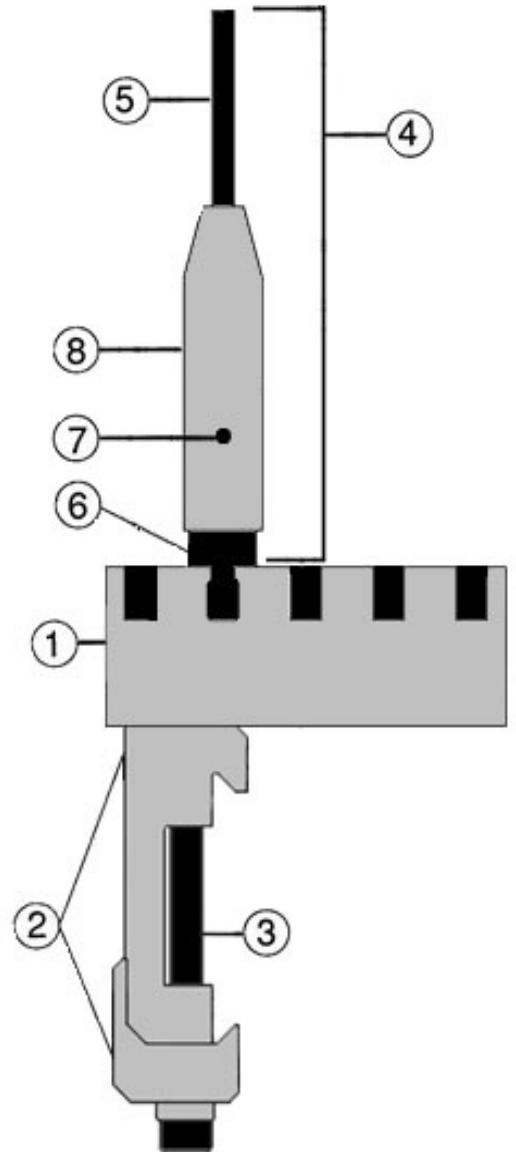
# STRIPPING PIN ASSEMBLIES

## SERIES 1000 LOWER

PART NO.	DESCRIPTION	PRICE
1000-LA	Lower Assembly Complete	15.95
1000-L1	5-Hole Pin Holder	5.95
1000-L2	Clamp System	6.95
1000-L3	90MM Bolt	.85
1000-L4	Pin Assembly (Includes L-5, L-6, L-7, L-8)	5.75
1000-L5	Replacement Pin	2.25
1000-L6	Replacement Nut	2.95
1000-L7	Replacement Spring	.65
1000-L8	Replacement Housing	3.25
1000-L8P	Replacement Housing (Plastic)	3.90

*Series 1000 Aluminum Pin Holder Material 15.00/Ft.*

**We Make Custom Pin Holders To Your Specifications**



CONTRACTS UNLIMITED, INC.

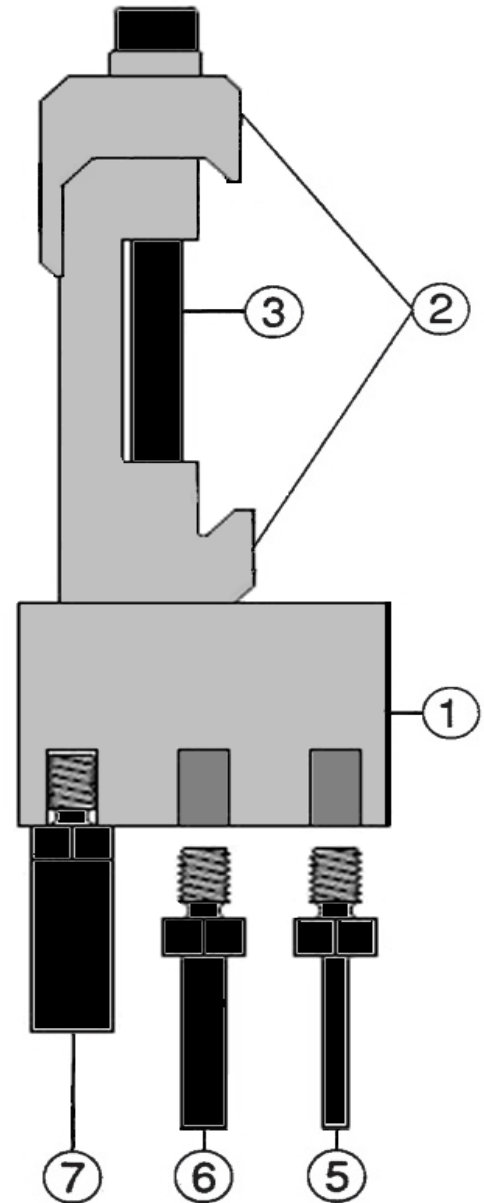
1-800-541-4333

# STRIPPING PIN ASSEMBLIES

## SERIES 1000 UPPER

PART NO.	DESCRIPTION	PRICE
1000-UA	Upper Assembly Complete	11.25
1000-U1	3-Hole Pin Holder	4.95
1000-U2	Clamp System	6.95
1000-U3	90MM Bolt	.85
1000-U5	3MM Upper Pin	1.65
1000-U6	5MM Upper Pin	1.65
1000-U7	10MM Upper Pin	1.65
1000-U8	2 MM Upper Pin	1.65

**We Make Custom Pin Holders To Your Specifications**



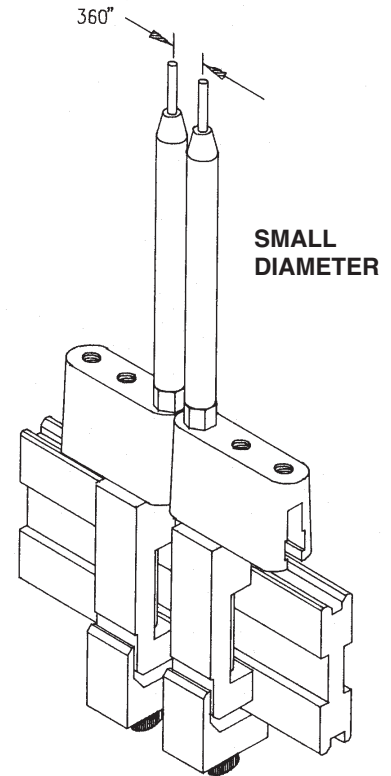
CONTRACTS UNLIMITED, INC.

1-800-541-4333

# CUSTOM STRIPPING PIN ASSEMBLIES

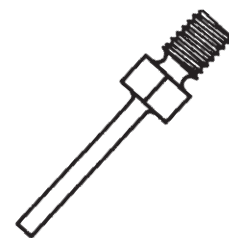
## SMALL DIAMETER SERIES 1000 LOWER

PART NO.	DESCRIPTION	PRICE
1000-CLA	Custom Lower Assembly Complete	26.95
1000-CPH	3-Hole Custom Pin Holder ( <i>Radius Ends</i> )	10.00
1000-L2	Clamp System	6.95
1000-L3	90MM Bolt	.85
1000-CL4	Custom Pin Assy (Includes CL5, CL6, CL7, CL8)	10.00
1000-CL5	Custom Replacement Pin	2.40
1000-CL6	Custom Replacement Nut	3.25
1000-CL7	Custom Replacement Spring	.65
1000-CL8	Custom Replacement Housing	6.00



## SERIES 1000 UPPER

1000-CUA	Custom Upper Assembly Complete	17.95
1000-CPH	3-Hole Custom Pin Holder ( <i>Radius Ends</i> )	10.00
1000-L2	Clamp System	6.95
1000-U10	2.5MM X 8MM Hex Custom Upper Pin	1.65



*Note: Also Available in Series 2000*

**We Make Custom Pin Holders To Your Specifications**



CONTRACTS UNLIMITED, INC.

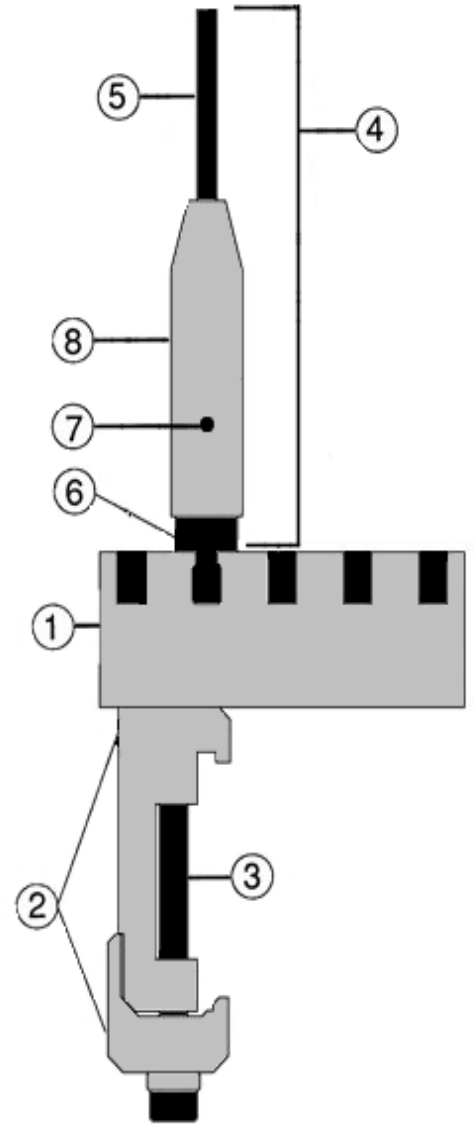
**1-800-541-4333**

# STRIPPING PIN ASSEMBLIES

## SERIES 2000 LOWER

*(Used on 1080 & 1260 Models Only)*

PART NO.	DESCRIPTION	PRICE
2000-LA	Lower Assembly Complete	19.25
2000-L1	5-Hole Pin Holder	5.95
2000-L2	Clamp System	8.95
2000-L3	90MM Bolt	.85
2000-L4	Pin Assembly (Includes L-5, L-6, L-7, L-8)	7.95
2000-L5	Replacement Pin	2.40
2000-L6	Replacement Nut	2.95
2000-L7	Replacement Spring	.65
2000-L8	Replacement Housing	3.25
2000-L8P	Replacement Housing (Plastic)	3.90



**We Make Custom Pin Holders To Your Specifications**



CONTRACTS UNLIMITED, INC.

**1-800-541-4333**

# STRIPPING PIN ASSEMBLIES

## SERIES 2000 UPPER

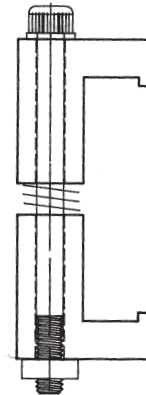
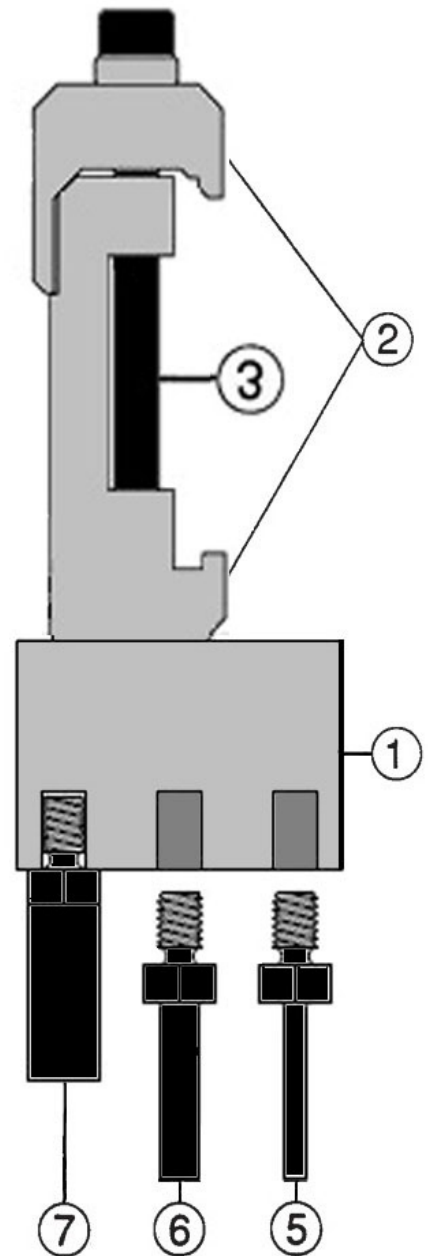
*(Used on 1080 & 1260 Models Only)*

PART NO.	DESCRIPTION	PRICE
2000-UA	Upper Assembly Complete	14.95
2000-U1	3-Hole Pin Holder	4.95
2000-U2	Clamp System	8.95
2000-U3	90MM Bolt	.85
2000-U5	3MM Upper Pin	1.65
2000-U6	5MM Upper Pin	1.65
2000-U7	10MM Upper Pin	1.65
2000-U8	2MM Upper Pin	1.65

**We Make Custom Pin Holders To Your Specifications**

## SERIES 3000

3000-L2	Clamp System	15.00
---------	--------------	-------

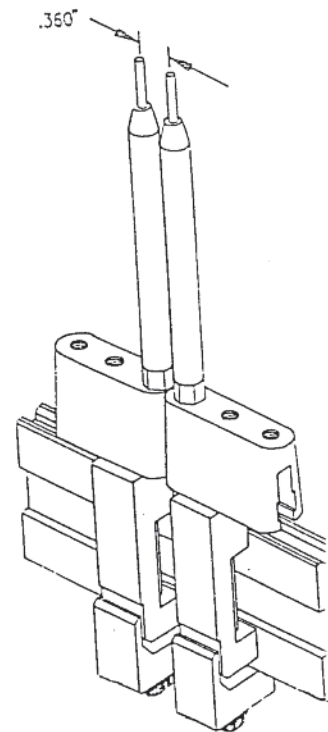
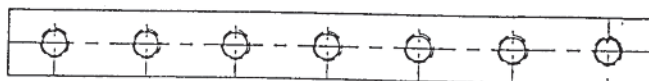
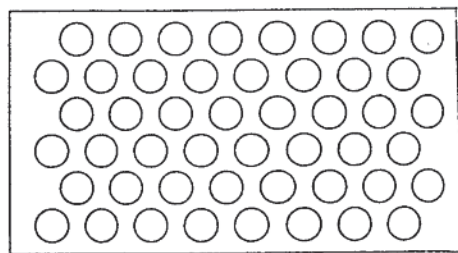
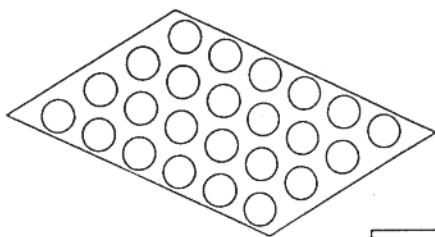


CONTRACTS UNLIMITED, INC.

1-800-541-4333

# ***DID YOU KNOW . . .***

***We Manufacture Custom  
Pin Holders in any Size or Shape***



CONTRACTS UNLIMITED, INC.

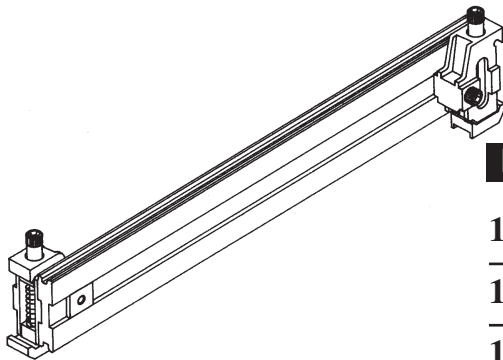
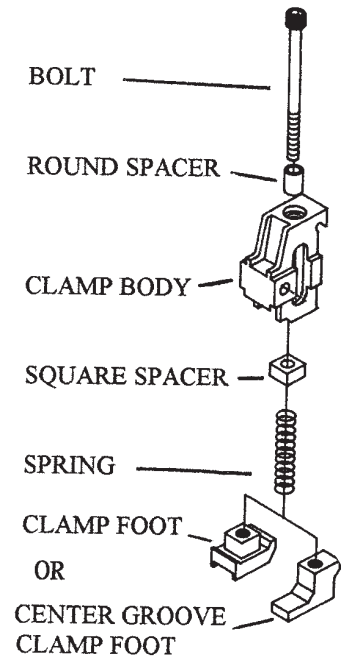
1-800-541-4333

# STRIPPING ACCESSORIES

## SERIES 1000

### Cross Bar Assembly

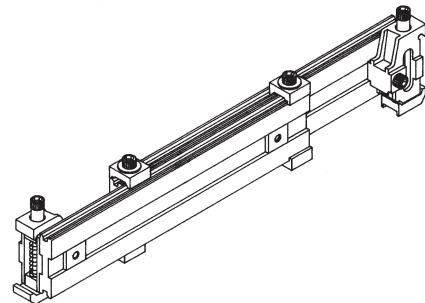
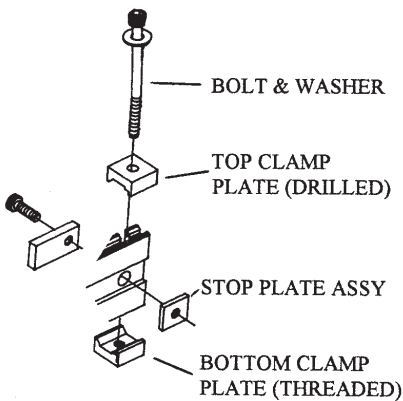
PART NO.	DESCRIPTION	PRICE
1000-CBAA	Aluminum Crossbar Assembly (to 60")	89.00
1000-ECH	End Clamp Hardware Assembly	30.75
1000-ECH1	Bolt	.85
1000-ECH2	Round Spacer	1.50
1000-ECH3	Clamp Body	23.50
1000-ECH4	Square Spacer	1.50
1000-ECH5	Spring	.65
1000-ECH6	Clamp Foot	7.25
1000-ECH7	Center Groove Clamp Foot	7.90



## SERIES 1000

### Expansion Bar Assembly

PART NO.	DESCRIPTION	PRICE
1000-EBA	Assembly to 66" Max opening	150.00
1000-EBH	Expansion Bar Hardware (2 Per Set)	39.00
1000-EBH1	Bolt and Spacer	1.00
1000-EBH2	Top Clamp Plate - Drilled	4.15
1000-EBH3	Stop Plate Assembly	9.95
1000-EBH4	Bottom Clamp Plate - Threaded	4.45



CONTRACTS UNLIMITED, INC.

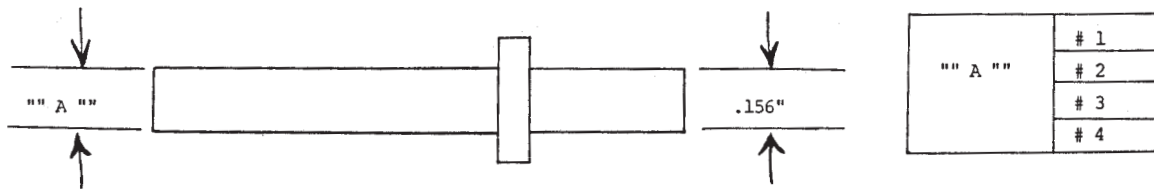
1-800-541-4333



# STRIPPING ACCESSORIES

## BOARD NAILS

PART NO.	DESCRIPTION	PRICE
USPBN-1	#1 Upper Stripping Pin Board Nail .116 x .156 .....	.95
USPBN-2	#2 Upper Stripping Pin Board Nail .187 x .156 .....	.75
USPBN-3	#3 Upper Stripping Pin Board Nail .250 x .156 .....	.85
USPBN-4	#4 Upper Stripping Pin Board Nail .375 x .156 .....	.90



## EXTRUSIONS

1000-CBMA	Aluminum Crossbar Material .....	18.00/Ft. (1.50/In.)
1000-CBMS	Steel Crossbar Material .....	60.00/Ft. (5.00/In.)
1000-CBAS	Series 1000 Steel Crossbar Assembly (to 60") .....	360.00
2000-CBAA	Series 2000 Aluminum Crossbar Assembly (to 60") .....	110.00



CONTRACTS UNLIMITED, INC.

1-800-541-4333

# STRIPPING PIN ASSEMBLIES *(Miscellaneous Manufacturers)*

PART NO.	DESCRIPTION	PRICE
<b>ARPECO</b>		
ARPECO-L4	L-4 Spring Loaded Pin Assembly <i>(New Style)</i> .....	12.00
ARPECO-LA	Lower Assembly Complete .....	46.00
ARPECO-U5	Upper Stripping Pins .....	4.90
ARPECO-UA	Upper Assembly Complete .....	20.50
ABN-1	#1 .116 x .156 Board Nail .....	1.25
ABN-2	#2 .187 x .156 Board Nail .....	1.25
ABN-3	#3 .250 x .156 Board Nail .....	1.25
ABN-4	#4 .375 x .156 Board Nail .....	1.25
<b>BRAUSE</b>		
BRAUSE-L4	L-4 Spring Loaded Pin Assembly .....	10.00
BRAUSE-LA	Lower Assembly Complete .....	35.00
<b>CONSOLIDATED</b>		
CONSOL-L4	L-4 Spring Loaded Pin Assembly .....	10.00
CONSOL-LA	Lower Assembly Complete .....	33.00
<b>IBERICA</b>		
IBER-L1	5 Hole Pin Holder .....	13.25
IBER-L2	Clamp System .....	15.75
IBER-L4	L-4 Spring Loaded Pin Assembly .....	12.50
IBER-LA	Lower Assembly Complete .....	39.75
IBER-UA	Upper Assembly Complete .....	25.00
<b>IJIMA</b>		
IJIMA-L4	L-4 Spring Loaded Pin Assembly .....	10.00
IJIMA-LA	Lower Assembly Complete .....	25.00
<b>SUGANO</b>		
SUGA-L4	L-4 Spring Loaded Pin Assembly .....	10.00
SUGA-LA	Lower Assembly Complete .....	25.00
SUGA-UA	Upper Stripping Pins .....	2.90

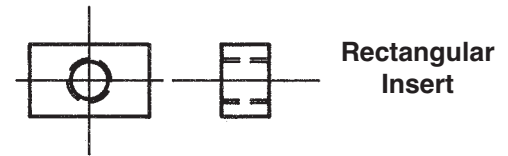
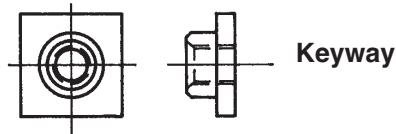
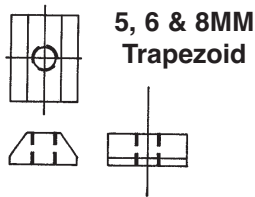


CONTRACTS UNLIMITED, INC.

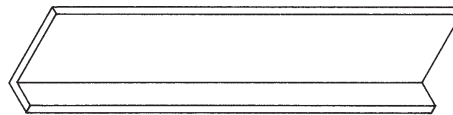
1-800-541-4333

# MISCELLANEOUS ACCESSORIES

PART NO.	DESCRIPTION	PRICE
<b>NUTS</b>		
NUT-5MM-TRP	5MM Trapezoid .....	2.75
NUT-6MM-TRP	6MM Trapezoid .....	2.90
NUT-8MM-TRP	8MM Trapezoid .....	3.25
NUT-8-TRP-S	8MM x 30MM Trapezoid ( <i>Special</i> ) .....	3.50
NUT-6MM-KEY	6MM Keyway ( <i>Used on Expansion Bars</i> ) .....	3.50
NUT-6MM-REC	6MM Rectangular ( <i>Used in Pin Holder</i> ) .....	.75



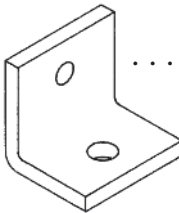
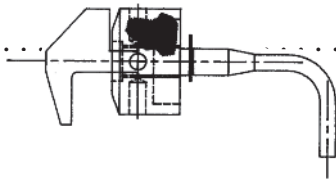
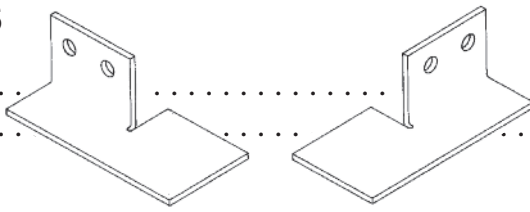
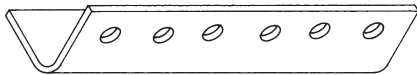

ANGLE-1/2 ALUMINUM ANGLE - 1/2" X 10MM X 1/16" ..... 2.00/Ft.  
**(Sold By The Foot)**



CONTRACTS UNLIMITED, INC.

1-800-541-4333

# MISCELLANEOUS ACCESSORIES

PART NO.	DESCRIPTION	PRICE
BOARDSUPPORT	Board Support Bracket .....	3.00
		
GRIDCLAMP	Grid Board Clamp .....	85.00
		
<b>TRIM BREAKERS</b>		
TRMBRK-LEFT	Left Hand .....	1.45
TRMBRK-RIGH	Right Hand .....	1.45
		
USBARMAT-40	Upper Stripping Bar Material (40" Lengths) .....	12.75
		
BOBST-SCREW	Chase Screws (Bobst Style) - 8MM .....	2.25
	<i>(Custom Chase Screws Available)</i>	
		
	<b>CLUTCH HUB</b> .....	995.00
	<b>GLUE WHEEL ASSEMBLY</b> .....	<i>Price On Request</i>
	Glue Wheel Assembly with Scraper .....	<i>Price On Request</i>
	Glue Wheel Assembly with Pre-Scraper ..	<i>Price On Request</i>
	<b>GLUER CLAMP ASSEMBLY</b> .....	<i>Price On Request</i>
	<b>LEAD EDGE BOARD HOLDERS</b> .....	185.00
	<b>PRESSURE ROLLER ASSEMBLY</b> .....	890.00



CONTRACTS UNLIMITED, INC.

**1-800-541-4333**

# MISCELLANEOUS ACCESSORIES

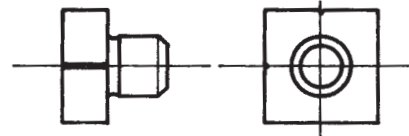
**SUPPORT RAILS** ..... 32.00  
*(Available in Steel or Aluminum)*

**SWORD ASSEMBLY**

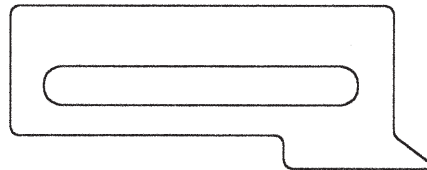
Single Sword Assembly ..... 325.00  
 Double Sword Assembly ..... 370.00

PART NO.	DESCRIPTION	PRICE
----------	-------------	-------

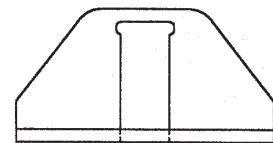
<b>CENTERBLOCK</b>	<b>DIE CHASE CENTER BLOCK</b> .....	23.50
--------------------	-------------------------------------	-------



<b>JAW</b>	<b>CLAMPING JAW</b> .....	2.60
------------	---------------------------	------



<b>CLTOOL</b>	<b>CENTERING PIECE</b> .....	9.50
---------------	------------------------------	------



CONTRACTS UNLIMITED, INC.

**1-800-541-4333**

## 1MM SS.THIN PLATES

PART NO.	DESCRIPTION	PRICE
PLT-761MM	76 .....	45.00
PLT-1021MM	102 .....	51.00
PLT-102CER1M	102CER .....	51.00
PLT-1031MM	103 .....	53.00
PLT-1041MM	104 .....	53.00
PLT-11201MM	1120 .....	61.00
PLT-12601MM	1260 .....	79.00
PLT-1301MM	130 .....	83.00
PLT-1421MM	142 .....	88.00
PLT-16001MM	1600 .....	98.00
PLT-1621MM	162 .....	98.00
PLT-SUGA1MM	SUGANO .....	100.00
PLT-SW8201	SANWA 820 .....	70.00
PLT-SW10601	SANWA 1060 .....	94.00

*Custom designed thin plates made to your specifications are now available*

## CORRUGATED MODELS

PLT-1601MM	SPO160 .....	98.00
PLT-162MM	SPO162 .....	119.00
PLT-20001MM	SPO2000 .....	145.00
PLT-20031MM	SPO2003 .....	<i>Price on Request</i>



CONTRACTS UNLIMITED, INC.

**1-800-541-4333**

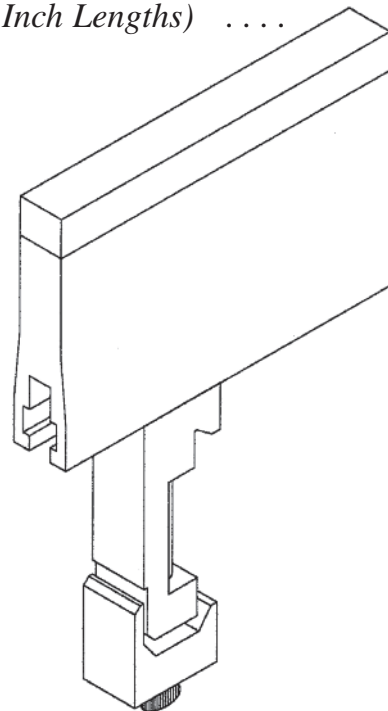
# BLANKING ACCESSORIES

## BLANKING TOOL ASSEMBLIES

### Style A - 1 PC Aluminum

PART NO.	DESCRIPTION	PRICE
BLNK-25AC	25MM (1 Inch) with Clamp .....	17.00
BLNK-50AC	50MM (2 Inch) with Clamp .....	22.00
BLNK-100AC	100MM (4 Inch) with Clamp .....	26.00
BLNK-150AC	150MM (6 Inch) with Clamp .....	32.00
BLNK-200AC	200MM (8 Inch) with Clamp .....	42.00
BLNK-25A	25MM (1 Inch) without Clamp .....	10.50
BLNK-50A	50MM (2 Inch) without Clamp .....	15.50
BLNK-100A	100MM (4 Inch) without Clamp .....	19.00
BLNK-150A	150MM (6 Inch) without Clamp .....	30.00
BLNK-200A	200MM (8 Inch) without Clamp .....	39.00
BLNK-RUB-18	Blanking Tool Rubber (18 Inch Lengths) .....	4.00

\*Blanking Tools over 4 inches  
come with 2 clamp systems.



CONTRACTS UNLIMITED, INC.

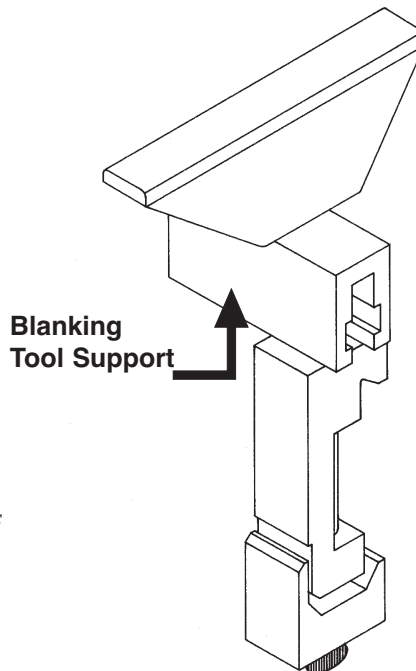
1-800-541-4333

# BLANKING ACCESSORIES

## BLANKING TOOL ASSEMBLIES

### Style B - 2PC Aluminum

PART NO.	DESCRIPTION	PRICE
BLNK-25BC	25MM (1 Inch) with Clamp .....	20.00
BLNK-50BC	50MM (2 Inch) with Clamp .....	20.00
BLNK-100BC	100MM (4 Inch) with Clamp .....	21.00
BLNK-150BC	150MM (6 Inch) with Clamp .....	32.50
BLNK-200BC	200MM (8 Inch) with Clamp .....	36.00
BLNK-25B	25MM (1 Inch) without Clamp .....	9.95
BLNK-50B	50MM (2 Inch) without Clamp .....	10.95
BLNK-100B	100MM (4 Inch) without Clamp .....	12.95
BLNK-150B	150MM (6 Inch) without Clamp .....	13.95
BLNK-200B	200MM (8 Inch) without Clamp .....	14.95
BLNK-RUB-18	Blanking Tool Rubber (18 Inch Lengths) .....	4.00
BLNK-SUPPORT	Blanking Tool Support .....	4.00



*\*Blanking Tools over 6 inches  
come with 2 clamp systems.*



CONTRACTS UNLIMITED, INC.

1-800-541-4333



# BLANKING ACCESSORIES

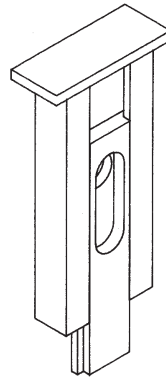
## JOGGER BRACKET ASSEMBLIES

PART NO.	DESCRIPTION	PRICE
JOG-F01	Front Jogger Assembly <i>(Includes Slide)</i> .....	35.00
JOG-B01	Back Jogger Assembly <i>(Includes Slide)</i> .....	42.00
JOG-S01	Side Jogger Assembly <i>(Includes Slide)</i> .....	45.00
JOG-40SLD	Jogger Bracket Slide 40MM .....	9.00
JOG-70SLD	Jogger Bracket Slide 70MM .....	10.00
JOG-S01STEP	Jogger Bracket Side Step .....	9.75
NUT-5MM-TRP	5MM Trapezoid Nut .....	2.90

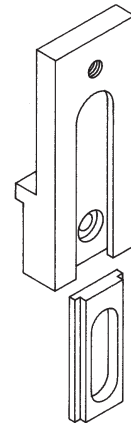
**FRONT**



**BACK**

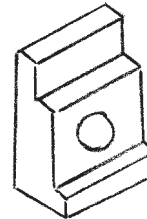


**SIDE**



**5MM TRAPEZOID NUT**

*Also Available  
in 6MM or 8MM*

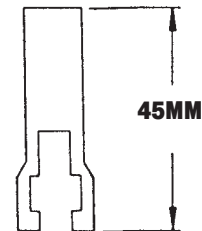
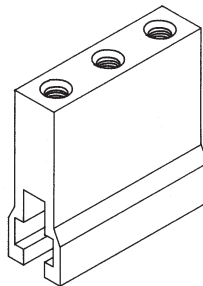
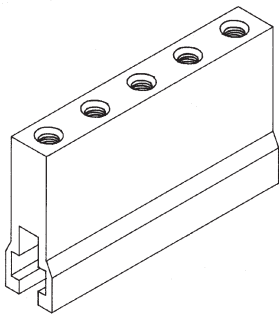


**SIDE STEP**

## BLANKING BARS

BLNK-BAR3	Blanking Bar - 3 Hole .....	9.00
BLNK-BAR5	Blanking Bar - 5 Hole .....	10.00
	<i>(Available with Clamp System)</i>	

### CUSTOM SIZES AVAILABLE



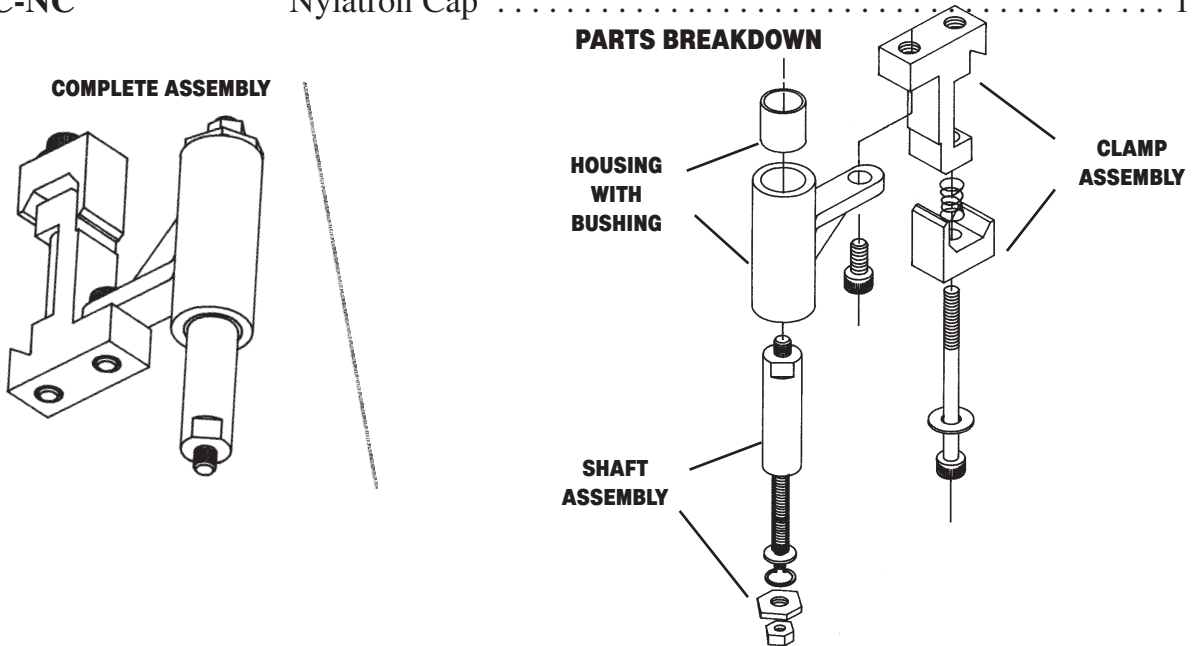
CONTRACTS UNLIMITED, INC.

1-800-541-4333

# BLANKING ACCESSORIES

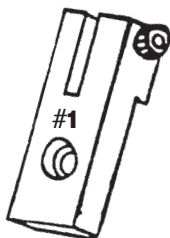
## SPRING HOLD DOWN ASSEMBLY

PART NO.	DESCRIPTION	PRICE
SHDC-A	Spring Hold Down Assembly Complete .....	48.25
SHDC-SA	Shaft Assembly .....	20.00
SHDC-HB	Housing with Bushing .....	18.00
SHDC-C	Clamp Assembly .....	12.00
SHDC-NC	Nylatron Cap .....	1.50

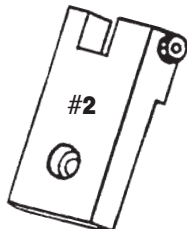


## GRID BAR HOLDERS

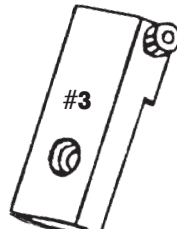
HLDR-ROD-6	Round Rod Holder - 6MM .....	23.00
HLDR-ROD-10	Round Rod Holder - 10MM .....	23.00
HLDR-FLAT1	Flat Bar Holder #1 .....	20.50
HLDR-FLAT2	Flat Bar Holder #2 .....	21.50
HLDR-FLAT3	Flat Bar Holder #3 .....	18.50



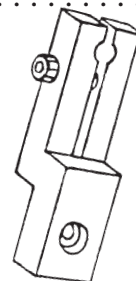
FLAT BAR HOLDER



FLAT BAR HOLDER



FLAT BAR HOLDER



ROUND ROD HOLDER

6MM  
or  
10MM



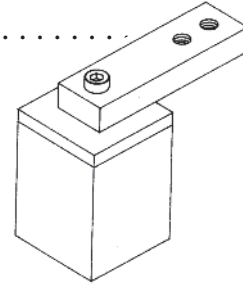
CONTRACTS UNLIMITED, INC.

1-800-541-4333

# BLANKING ACCESSORIES

PART NO.	DESCRIPTION	PRICE
----------	-------------	-------

PPA	Pressure Pad Assembly .....	7.00
-----	-----------------------------	------

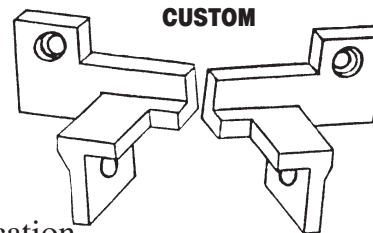
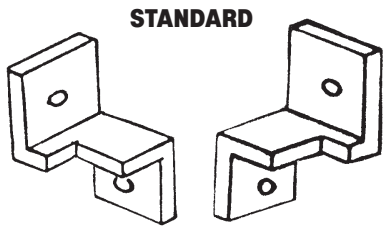


## UNIVERSAL TOOL CORNERS

UNIVTOOL-R	Right .....	.28.00
UNIVTOOL-L	Left .....	.28.00

## CUSTOM UNIVERSAL TOOL CORNERS

UNIVTOOL-CR	Right .....	.59.00
UNIVTOOL-CL	Left .....	.59.00



ENDFAB-L	Flat Top Tool Left End Fabrication .....	495.00
ENDFAB-R	Flat Top Tool Right End Fabrication .....	495.00
SUPPORTBAR	Support Bars .....	150.00

## ROD

ROD-6MM	6MM Dia x 6' Lengths .....	12.00
---------	----------------------------	-------

## TUBING

TUBE-10MMx1	10MM x 1MM (Price/6 Ft. Lgth.) .....	20.00
TUBE-10MMx2	10MM x 2MM (Price/6 Ft. Lgth.) .....	20.00

UNIVRAIL	Universal Tool Rail .....	350.00
----------	---------------------------	--------

WEARSTRIP	Wear Strips (Used on Support Bars) .....	22.00
-----------	--	-------



CONTRACTS UNLIMITED, INC.

1-800-541-4333

# 102 FRAMES, CHASES AND ACCESSORIES

102/102E/102SE	Stripping Frame	900.00
102E	Upper Honeycomb Stripping Frame	2,950.00
102CER	Upper Stripping Frame	1,175.00
102CER	Lower Stripping Frame	1,150.00
102CER	Upper Blanking Frame	1,175.00
102CER	Lower Blanking Frame	2,600.00
102CER	Lower Universal Tool	1,400.00
102CER	Central Stripping Frame	4,600.00
102CER	Open Back Chase	5,500.00
102CER	Die Chase with Backing Plate	<i>Price On Request</i>
102CER-II	Upper Stripping Frame	1,350.00
102CER-II	Lower Stripping Frame	1,300.00
102CER-II	Upper Blanking Frame	1,350.00
102CER-II	Lower Blanking Frame	2,300.00
102CER-II	Lower Universal Tool	1,400.00
102CER-II	Central Stripping Frame	4,600.00
102CER-II	Die Chase with Backing Plate	<i>Price On Request</i>

## ACCESSORIES

FLAT TOP TOOL .....	1,850.00
<i>(Includes: (5) Support Bars, (1) Left End Fabrication, (1) Right End Fabrication, (5) Wear Strips)</i>	
BACKING PLATE .....	<i>Price On Request</i>
CUTTING PLATE .....	<i>Price On Request</i>
1MM THIN PLATE .....	51.00
PHENOLIC BED PLATE - Less Hardware .....	<i>Price On Request</i>
FIBERGLASS PROTECTOR PLATE .....	165.00
STORAGE RACK .....	<i>Price On Request</i>
RECONDITIONING OF DIE CHASE .....	1,900.00
<i>(Includes: New Hardened Backing Plate)</i>	



CONTRACTS UNLIMITED, INC.

**1-800-541-4333**

# 103 FRAMES, CHASES AND ACCESSORIES

103ER	Upper Stripping Frame	1,350.00
103ER	Lower Stripping Frame	1,300.00
103ER	Upper Blanking Frame	1,350.00
103ER	Lower Blanking Frame	2,300.00
103ER	Lower Universal Tool	1,400.00

## ACCESSORIES

<b>FLAT TOP TOOL</b> .....	1,850.00
<i>(Includes: (5) Support Bars, (1) Left End Fabrication, (1) Right End Fabrication, (5) Wear Strips)</i>	
<b>BACKING PLATE</b> .....	<i>Price On Request</i>
<b>CUTTING PLATE</b> .....	<i>Price On Request</i>
<b>1MM THIN PLATE</b> .....	53.00
<b>PHENOLIC BED PLATE - Less Hardware</b> .....	<i>Price On Request</i>
<b>FIBERGLASS PROTECTOR PLATE</b> .....	165.00
<b>STORAGE RACK</b> .....	<i>Price On Request</i>
<b>RECONDITIONING OF DIE CHASE</b> .....	1,900.00
<i>(Includes: New Hardened Backing Plate)</i>	



CONTRACTS UNLIMITED, INC.

1-800-541-4333

# 104 FRAMES, CHASES AND ACCESSORIES

104ER	Upper Stripping Frame	1,350.00
104ER	Lower Stripping Frame	1,300.00
104ER	Upper Blanking Frame	1,350.00
104ER	Lower Blanking Frame	2,300.00
104ER	Lower Universal Tool	1,400.00
104ER	Die Chase with Backing Plate	<i>Price On Request</i>

## ACCESSORIES

FLAT TOP TOOL .....	1,850.00
<i>(Includes: (5) Support Bars, (1) Left End Fabrication, (1) Right End Fabrication, (5) Wear Strips)</i>	
BACKING PLATE .....	<i>Price On Request</i>
CUTTING PLATE .....	<i>Price On Request</i>
1MM THIN PLATE .....	53.00
PHENOLIC BED PLATE - Less Hardware .....	<i>Price On Request</i>
FIBERGLASS PROTECTOR PLATE .....	165.00
STORAGE RACK .....	<i>Price On Request</i>
RECONDITIONING OF DIE CHASE .....	1,900.00
<i>(Includes: New Hardened Backing Plate)</i>	



CONTRACTS UNLIMITED, INC.

**1-800-541-4333**

# 1120 FRAMES, CHASES AND ACCESSORIES

1120E	Stripping Frame	890.00
1120E	Lower Blanking Frame	2,300.00
1120E	Lower Universal Tool	1,400.00
1120E	Die Chase with Backing Plate	<i>Price On Request</i>

## ACCESSORIES

BACKING PLATE .....	<i>Price On Request</i>
CUTTING PLATE .....	<i>Price On Request</i>
1MM THIN PLATE .....	61.00
PHENOLIC BED PLATE - Less Hardware .....	<i>Price On Request</i>
FIBERGLASS PROTECTOR PLATE .....	170.00
STORAGE RACK .....	<i>Price On Request</i>
RECONDITIONING OF DIE CHASE .....	2,200.00

*(Includes: New Hardened Backing Plate)*



CONTRACTS UNLIMITED, INC.

1-800-541-4333

# 126/1260 FRAMES, CHASES AND ACCESSORIES

---

1260	Die Chase with Backing Plate	<i>Price On Request</i>
1260	Embossing Chase	<i>Price On Request</i>

---

## ACCESSORIES

BACKING PLATE .....	<i>Price On Request</i>
CUTTING PLATE .....	<i>Price On Request</i>
1MM THIN PLATE .....	79.00
PHENOLIC BED PLATE - Less Hardware .....	<i>Price On Request</i>
FIBERGLASS PROTECTOR PLATE .....	175.00
STORAGE RACK .....	<i>Price On Request</i>
RECONDITIONING OF DIE CHASE .....	2,400.00
<i>(Includes: New Hardened Backing Plate)</i>	



CONTRACTS UNLIMITED, INC.

1-800-541-4333



## 130 FRAMES, CHASES AND ACCESSORIES

130E	Stripping Frame	1,400.00
130ER	Upper Stripping Frame	1,400.00
130ER	Upper Honeycomb Stripping Frame	4,250.00
130ER	Lower Stripping Frame	1,400.00
130ER	Upper Blanking Frame	1,400.00
130ER	Lower Blanking Frame	2,300.00
130ER	Lower Universal Tool	1,400.00
130ER	Central Stripping Frame	4,600.00
130ER	Die Chase with Backing Plate	<i>Price On Request</i>
130ER	Embossing Chase	<i>Price On Request</i>

## ACCESSORIES

<b>FLAT TOP TOOL</b> .....	1,900.00
<i>(Includes: (5) Support Bars, (1) Left End Fabrication, (1) Right End Fabrication, (5) Wear Strips)</i>	
<b>BACKING PLATE</b> .....	<i>Price On Request</i>
<b>CUTTING PLATE</b> .....	<i>Price On Request</i>
<b>1MM THIN PLATE</b> .....	83.00
<b>PHENOLIC BED PLATE - Less Hardware</b> .....	<i>Price On Request</i>
<b>FIBERGLASS PROTECTOR PLATE</b> .....	175.00
<b>STORAGE RACK</b> .....	<i>Price On Request</i>
<b>RECONDITIONING OF DIE CHASE</b> .....	2,600.00
<i>(Includes: New Hardened Backing Plate)</i>	



CONTRACTS UNLIMITED, INC.

1-800-541-4333

# 142/1420 FRAMES, CHASES AND ACCESSORIES

142	Stripping Frame	1,400.00
142E	Upper Stripping Frame	1,400.00
142E	Lower Stripping Frame	1,400.00
142ER	Upper Stripping Frame	1,400.00
142ER	Lower Stripping Frame	1,400.00
142ER	Upper Blanking Frame	1,400.00
142ER	Lower Blanking Frame	2,600.00
142ER	Lower Universal Tool	1,400.00
142CER	Upper Stripping Frame	1,400.00
142CER	Upper Honeycomb Stripping Frame	4,950.00
142CER	Lower Stripping Frame	1,400.00
142CER	Upper Blanking Frame	1,400.00
142CER	Lower Blanking Frame	2,600.00
142CER	Lower Universal Tool	1,400.00
142CER	Central Stripping Frame	4,800.00
142CER	Die Chase with Backing Plate	<i>Price On Request</i>
1420	Single Stripping Frame	1,450.00
1420	Double Stripping Frame	2,150.00
1420ER	Lower Universal Tool	1,400.00

*Must Specify 2Pt or 3Pt Lockup*

*\*Add 75.00 for 3Pt Lockup*

## ACCESSORIES

FLAT TOP TOOL .....	2,075.00
<i>(Includes: (6) Support Bars, (1) Left End Fabrication, (1) Right End Fabrication, (6) Wear Strips)</i>	
BACKING PLATE .....	<i>Price On Request</i>
CUTTING PLATE .....	<i>Price On Request</i>
1MM THIN PLATE .....	88.00
PHENOLIC BED PLATE - Less Hardware .....	<i>Price On Request</i>
FIBERGLASS PROTECTOR PLATE .....	185.00
STORAGE RACK .....	<i>Price On Request</i>
RECONDITIONING OF DIE CHASE .....	2,900.00
<i>(Includes: New Hardened Backing Plate)</i>	



CONTRACTS UNLIMITED, INC.

**1-800-541-4333**

# 1600 FRAMES, CHASES AND ACCESSORIES

<b>1600E</b>	Upper Stripping Frame	2,395.00
<b>1600E</b>	Lower Stripping Frame	2,695.00
<b>1600ER</b>	Upper Stripping Frame	2,395.00
<b>1600ER</b>	Lower Stripping Frame	2,695.00
<b>1600ER</b>	Upper Blanking Frame	2,395.00
<b>1600ER</b>	Lower Universal Tool	1,775.00
<b>1600ER</b>	Die Chase with Backing Plate	<i>Price On Request</i>

## ACCESSORIES

<b>FLAT TOP TOOL</b> .....	2,100.00
<i>(Includes: (6) Support Bars, (1) Left End Fabrication, (1) Right End Fabrication, (6) Wear Strips)</i>	
<b>BACKING PLATE</b> .....	<i>Price On Request</i>
<b>CUTTING PLATE</b> .....	<i>Price On Request</i>
<b>1MM THIN PLATE</b> .....	98.00
<b>PHENOLIC BED PLATE - Less Hardware</b> .....	<i>Price On Request</i>
<b>FIBERGLASS PROTECTOR PLATE</b> .....	230.00
<b>STORAGE RACK</b> .....	<i>Price On Request</i>
<b>RECONDITIONING OF DIE CHASE</b> .....	3,400.00
<i>(Includes: New Hardened Backing Plate)</i>	



CONTRACTS UNLIMITED, INC.

**1-800-541-4333**

# 162 FRAMES, CHASES AND ACCESSORIES

162CER	Upper Stripping Frame	2,350.00
162CER	Upper Honeycomb Stripping Frame	5,495.00
162CER	Lower Stripping Frame	2,350.00
162CER	Upper Blanking Frame	2,350.00
162CER	Lower Blanking Frame	2,900.00
162CER	Lower Universal Tool	1,600.00
162CER	Central Stripping Frame	5,995.00
162CER	Die Chase with Backing Plate	<i>Price On Request</i>

## ACCESSORIES

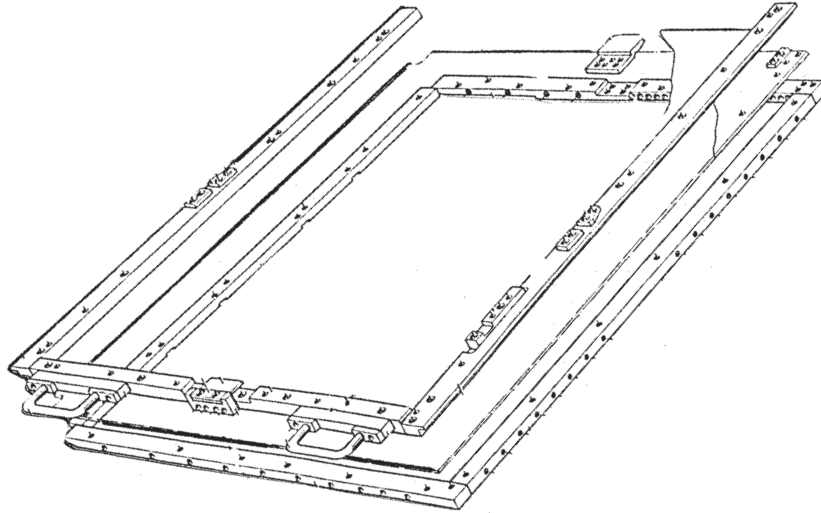
<b>FLAT TOP TOOL</b> .....	2,100.00
<i>(Includes: (6) Support Bars, (1) Left End Fabrication, (1) Right End Fabrication, (6) Wear Strips)</i>	
<b>BACKING PLATE</b> .....	<i>Price On Request</i>
<b>CUTTING PLATE</b> .....	<i>Price On Request</i>
<b>1MM THIN PLATE</b> .....	98.00
<b>PHENOLIC BED PLATE - Less Hardware</b> .....	<i>Price On Request</i>
<b>FIBERGLASS PROTECTOR PLATE</b> .....	230.00
<b>STORAGE RACK</b> .....	<i>Price On Request</i>
<b>RECONDITIONING OF DIE CHASE</b> .....	3,400.00
<i>(Includes: New Hardened Backing Plate)</i>	



CONTRACTS UNLIMITED, INC.

1-800-541-4333

# LET US RECONDITION YOUR DIE CHASE



**We can take your old, worn, out of tolerance die chase, install a new backing plate and bring the chase back to OEM specs for a fraction of the cost of buying a new die chase.**

*\*Price on Request*



CONTRACTS UNLIMITED, INC.

**1-800-541-4333**

# 1MM FIBERGLASS PROTECTOR PLATES

PART NO.	DESCRIPTION	PRICE
PTRPLT-102	102 Protector Plate 1MM . . . . .	265.00
PTRPLT-103	103 Protector Plate 1MM . . . . .	265.00
PTRPLT-104	104 Protector Plate 1MM . . . . .	265.00
PTRPLT-106	106 Protector Plate 1MM . . . . .	270.00
PTRPLT-130	130 Protector Plate 1MM . . . . .	275.00
PTRPLT-1120	1120 Protector Plate 1MM . . . . .	280.00
PTRPLT-1260	1260 Protector Plate 1MM . . . . .	270.00
PTRPLT-142	142 Protector Plate 1MM . . . . .	285.00
PTRPLT-1420	1420 Protector Plate 1MM . . . . .	285.00
PTRPLT-145	145 Protector Plate 1MM . . . . .	290.00
PTRPLT-1600	1600 Protector Plate 1MM . . . . .	330.00
PTRPLT-162	162 Protector Plate 1MM . . . . .	330.00
PTRPLT-1650	1650 Protector Plate 1MM . . . . .	330.00
PTRPLT-SUGA	Sugano Protector Plate 1MM . . . . .	330.00
PTRPLT-1260	1260 Protector Plate 5MM . . . . .	925.00

***CALL FOR PHENOLIC BED PRICING***



CONTRACTS UNLIMITED, INC.

**1-800-541-4333**

# FRAMES, CHASES AND ACCESSORIES

*(Miscellaneous Manufacturers)*

## ARPECO

Upper Frame .....	415.00
Lower Frame .....	330.00

## Accessories

Backing Plate .....	380.00
Cutting Plate .....	330.00
Upper Crossbar Assembly with Clamp .....	66.00
Lower Crossbar Assembly with Clamp .....	66.00
Foam Bar with Hardware .....	78.00
Mounting Blocks .....	70.00

## CHAMPLAIN

Die Chase with Backing Plate .....	7,700.00
------------------------------------	----------

## Accessories

Cutting Plate .....	2,850.00
---------------------	----------

## IBERICA

Stripping Frame .....	<i>Price On Request</i>
-----------------------	-------------------------

## IJIMA

Die Chase with Backing Plate .....	<i>Price On Request</i>
------------------------------------	-------------------------

## LAMATIC

650 Die Chase with Backing Plate .....	4,900.00
1150 Die Chase with Backing Plate .....	7,250.00

## Accessories

650 Cutting Plate .....	1,900.00
1150 Cutting Plate .....	<i>Price On Request</i>
1150 Phenolic Bed Plate Less Hardware .....	6,500.00



CONTRACTS UNLIMITED, INC.

1-800-541-4333

# FRAMES, CHASES AND ACCESSORIES

*(Miscellaneous Manufacturers)*

## ZERAND

40" Die Chase with Backing Plate .....	7,900.00
48" Die Chase with Backing Plate .....	8,150.00
55" Die Chase with Backing Plate .....	8,300.00

## Accessories

40" Cutting Plate .....	2,800.00
48" Cutting Plate .....	2,900.00
55" Cutting Plate .....	3,050.00

*(Chrome Plating Available - Add \$400.00)*



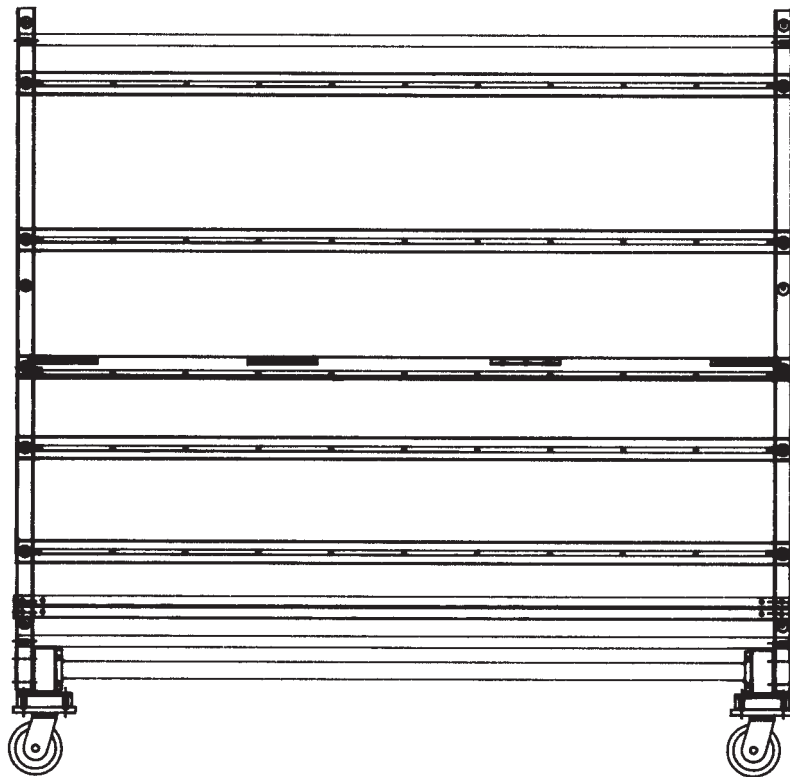
CONTRACTS UNLIMITED, INC.

**1-800-541-4333**



***DID YOU KNOW . . .***

**We Manufacture  
Storage Racks**



***CUSTOM DESIGNS AVAILABLE***



**CONTRACTS UNLIMITED, INC.**

**1-800-541-4333**

Just the fax form will open so you can print it easily without printing or downloading the entire catalog.



**CONTRACTS UNLIMITED, INC.**

**5309 IDA Park North • Lockport, NY 14094**

**Phone: 800-541-4333**

**Fax: 716-433-0669**

<b>ORDER DATE</b>
<b>ORDER NUMBER</b>
<b>QUOTE NUMBER</b>

Contact \_\_\_\_\_

Company \_\_\_\_\_

Ship To \_\_\_\_\_

\_\_\_\_\_

Phone: \_\_\_\_\_

QTY	PAGE NUMBER	DESCRIPTION	PRICE EACH	TOTAL

# INDEX

102 Frames, Chases and Accessories . . . . .	19	Corrugated . . . . .	13
103 Frames, Chases and Accessories . . . . .	20	Crossbar Assem.-Aluminum-SER 1000 . . . . .	7
104 Frames, Chases and Accessories . . . . .	21	Crossbar Assem.-Aluminum-SER 2000 . . . . .	8
1120 Frames, Chases and Accessories . . . . .	22	Crossbar Assemblies-Steel-SER 1000 . . . . .	8
126/1260 Frames, Chases and Accessories . . . . .	23	Crossbar Material-Aluminum . . . . .	8
130 Frames, Chases and Accessories . . . . .	24	Crossbar Material-Steel . . . . .	8
142/1420 Frames, Chases and Accessories . . . . .	25	Crossbar End Clamp Hardware . . . . .	7
1600 Frames, Chases and Accessories . . . . .	26	Crossbar Bolt . . . . .	7
162 Frames, Chases and Accessories . . . . .	27	Crossbar Round Spacer . . . . .	7
Aluminum Angle . . . . .	10	Crossbar Clamp Body . . . . .	7
Arpeco Backing Plate . . . . .	30	Crossbar Square Spacer . . . . .	7
Arpeco Crossbar Assembly . . . . .	30	Crossbar Spring . . . . .	7
Arpeco Cutting Plate . . . . .	30	Crossbar Clamp Foot . . . . .	7
Arpeco Foam Bar Assembly . . . . .	30	Crossbar Centergroove Foot . . . . .	7
Arpeco Frames . . . . .	30	Die Chase . . . . .	19-27
Arpeco Mounting Blocks . . . . .	30	Die Chase Centering Block . . . . .	12
Arpeco Pin Assemblies . . . . .	9	Expansion Bar Assemblies-Aluminum	
Blanking Bars . . . . .	16	SER 1000 . . . . .	7
Blanking Tool Assemblies . . . . .	14, 15	Expansion Bar Hardware . . . . .	7
Blanking Tool Rubber . . . . .	14, 15	Expansion Bar Bolt & Spacer . . . . .	7
Blanking Tool Support . . . . .	15	Expansion Bar Top Clamp Plate . . . . .	7
Board Nails . . . . .	8	Expansion Bar Stop Plate Assembly . . . . .	7
Board Support Bracket . . . . .	11	Expansion Bar Bottom Clamp Plate . . . . .	7
Brause Pin Assemblies . . . . .	9	Flat Bar Holder . . . . .	17
Centering Piece . . . . .	12	Flat Top Tool Left End Fabrication . . . . .	18
Champlain Cutting Plate . . . . .	30	Flat Top Tool Right End Fabrication . . . . .	18
Champlain Die Chase . . . . .	30	Glue Wheel Assembly . . . . .	12
Chase Screws . . . . .	11	Gluer Clamp Assembly . . . . .	12
Clamping Jaw . . . . .	12	Grid Bar Holders . . . . .	17
Clutch Hub . . . . .	12	Grid Board Clamp . . . . .	11
Consolidated Pin Assemblies . . . . .	9	Iberica Pin Assemblies . . . . .	9



CONTRACTS UNLIMITED, INC.

1-800-541-4333

# INDEX

Iberica Stripping Frame	30	Stripping Assemblies-SER 1000	
Iijima Pin Assemblies	9	Custom Narrow Body Lower	3
Iijima Die Chase	30	Stripping Assemblies-SER 1000	
Jogger Bracket Assemblies	16	Custom Upper	3
Jogger Bracket Side Step	16	Stripping Assemblies-SER 2000 Lower	4
Jogger Bracket Slides	16	Stripping Assemblies-SER 2000 Upper	5
Lamatic 650 Cutting Plate	30	Sugano Pin Assemblies	9
Lamatic 650 Die Chase	30	Support Bars	18
Lamatic 1150 Cutting Plate	30	Support Rails	12
Lamatic 1150 Die Chase	30	Sword Assemblies	12
Lamatic 1150 Phenolic Bed Plate	30	Tubing 10MM	18
Lead Edge Board Holder	11	Trimbreaker-Left	11
Nut-Keyway 6MM	10	Trimbreaker-Right	11
Nut-Rectangular 6MM	10	Universal Tool Corners	18
Nut-Trapezoid 5MM	10	Universal Tool Corners-Custom	18
Nut-Trapezoid 6MM	10	Universal Tool Rail	18
Nut-Trapezoid 8MM	10	Upper Stripping Bar Material	11
Nut-Trapezoid 8x30MM	10	Upper Stripping Pin Board Nails	8
Plates - 1MM Thin	13	Wear Strips (Support Bar)	18
Plates - Fiberglass Protector	29	Zerand 40" Cutting Plate	31
Plates - Cutting	19-27	Zerand 40" Die Chase	31
Plates - Backing	19-27	Zerand 48" Cutting Plate	31
Plates - Phenolic Bed	19-27	Zerand 48" Die Chase	31
Pressure Pad Assembly	18	Zerand 55" Cutting Plate	31
Pressure Roller Assembly	11	Zerand 55" Die Chase	31
Racks - Storage	32		
Rod 6MM	18		
Rod Holder	17		
Spring Hold Down Clamp Assembly	17		
Stripping Assemblies-SER 1000 Lower	1		
Stripping Assemblies-SER 1000 Upper	2		



CONTRACTS UNLIMITED, INC.

1-800-541-4333